



US00D592919S

(12) **United States Design Patent**
Oliwa

(10) **Patent No.:** **US D592,919 S**

(45) **Date of Patent:** **** May 26, 2009**

(54) **SPATULA**

2004/0064952 A1* 4/2004 Armienta 30/142

(76) Inventor: **Edward Oliwa**, 5300 Marlin Dr., Lake Wylie, SC (US) 29710

* cited by examiner

Primary Examiner—Terry A Wallace

(74) *Attorney, Agent, or Firm*—Hammer & Associates, P.C.

(**) Term: **14 Years**

(21) Appl. No.: **29/306,992**

(57) **CLAIM**

(22) Filed: **Apr. 21, 2008**

The ornamental design for a spatula, as shown and described.

(51) **LOC (9) Cl.** **07-02**

(52) **U.S. Cl.** **D7/688**

(58) **Field of Classification Search** D7/688,
D7/692; 294/7, 8, 1.1; 30/123.3, 142, 325,
30/150

DESCRIPTION

See application file for complete search history.

FIG. 1 is a perspective view of one embodiment of a spatula showing the new design;

FIG. 2 is another perspective view of the embodiment from FIG. 1;

FIG. 3 is a first side elevational view of the embodiment from FIG. 1;

FIG. 4 is a second side elevational view of the embodiment from FIG. 1;

FIG. 5 is a third side elevational view of the embodiment from FIG. 1;

FIG. 6 is a fourth side elevational view of the embodiment from FIG. 1;

FIG. 7 is a top plan view of the embodiment from FIG. 1.

FIG. 8 is a bottom plan view of the embodiment from FIG. 1.

FIG. 9 is a perspective view of another embodiment of a spatula showing the new design with the raised edge extending to the handle;

FIG. 10 is another perspective view of the embodiment from FIG. 9;

FIG. 11 is a first side elevational view of the embodiment from FIG. 9;

FIG. 12 is a second side elevational view of the embodiment from FIG. 9;

FIG. 13 is a third side elevational view of the embodiment from FIG. 9;

FIG. 14 is a fourth side elevational view of the embodiment from FIG. 9;

FIG. 15 is a top plan view of the embodiment from FIG. 9.

(56) **References Cited**

U.S. PATENT DOCUMENTS

944,091 A *	12/1909	Harn	30/142
D43,124 S	10/1912	Strassburger et al.	
1,130,234 A	3/1915	Wrobel	
D49,368 S *	7/1916	Osterbauer	D7/691
D103,757 S	3/1937	White	
D148,777 S *	2/1948	Ferris	D7/691
2,460,887 A	2/1949	Kriz, Jr.	
D187,079 S	1/1960	Horn et al.	
3,004,341 A *	10/1961	Carroll et al.	30/325
3,730,579 A	5/1973	Mock	
3,753,587 A	8/1973	Godlewski	
3,758,143 A	9/1973	Godlewski	
3,967,376 A *	7/1976	Foley	30/150
4,205,870 A	6/1980	Conner	
D324,321 S	3/1992	Eckman	
D327,204 S	6/1992	Hunt	
5,573,292 A	11/1996	Citino	
D379,746 S	6/1997	Savicki	
D422,461 S	4/2000	Gessert	
D458,091 S	6/2002	Wallays et al.	
D466,377 S *	12/2002	Epstein et al.	D7/692
D472,112 S	3/2003	Bertke	
D477,972 S *	8/2003	Schulein	D7/667
D479,959 S *	9/2003	Armienta	D7/692
D497,948 S *	11/2004	Miller	D19/40
D503,874 S *	4/2005	Lu	D7/692

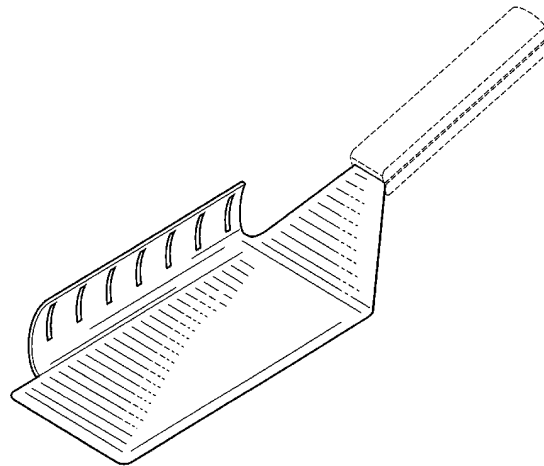


FIG. 16 is a bottom plan view of the embodiment from FIG. 9.

FIG. 17 is a perspective view of another embodiment of a spatula showing the new design with circular shaped holes;

FIG. 18 is another perspective view of the embodiment from FIG. 17;

FIG. 19 is a first side elevational view of the embodiment from FIG. 17;

FIG. 20 is a second side elevational view of the embodiment from FIG. 17;

FIG. 21 is a third side elevational view of the embodiment from FIG. 17;

FIG. 22 is a fourth side elevational view of the embodiment from FIG. 17;

FIG. 23 is a top plan view of the embodiment from FIG. 17.

FIG. 24 is a bottom plan view of the embodiment from FIG. 17.

FIG. 25 is a perspective view of another embodiment of a spatula showing the new design with diamond shaped holes;

FIG. 26 is another perspective view of the embodiment from FIG. 25;

FIG. 27 is a first side elevational view of the embodiment from FIG. 25;

FIG. 28 is a second side elevational view of the embodiment from FIG. 25;

FIG. 29 is a third side elevational view of the embodiment from FIG. 25;

FIG. 30 is a fourth side elevational view of the embodiment from FIG. 25;

FIG. 31 is a top plan view of the embodiment from FIG. 25.

FIG. 32 is a bottom plan view of the embodiment from FIG. 25.

FIG. 33 is a perspective view of another embodiment of a spatula showing the new design with a straight raised edge;

FIG. 34 is another perspective view of the embodiment from FIG. 33;

FIG. 35 is a first side elevational view of the embodiment from FIG. 33;

FIG. 36 is a second side elevational view of the embodiment from FIG. 33;

FIG. 37 is a third side elevational view of the embodiment from FIG. 33;

FIG. 38 is a fourth side elevational view of the embodiment from FIG. 33;

FIG. 39 is a top plan view of the embodiment from FIG. 33.

FIG. 40 is a bottom plan view of the embodiment from FIG. 33.

FIG. 41 is a perspective view of another embodiment of a spatula showing the new design with a square shaped spatula;

FIG. 42 is another perspective view of the embodiment from FIG. 41;

FIG. 43 is a first side elevational view of the embodiment from FIG. 41;

FIG. 44 is a second side elevational view of the embodiment from FIG. 41;

FIG. 45 is a third side elevational view of the embodiment from FIG. 41;

FIG. 46 is a fourth side elevational view of the embodiment from FIG. 41;

FIG. 47 is a top plan view of the embodiment from FIG. 41.

FIG. 48 is a bottom plan view of the embodiment from FIG. 41.

FIG. 49 is a perspective view of one embodiment of a spatula showing the new design with rounded side edges;

FIG. 50 is another perspective view of the embodiment from FIG. 49;

FIG. 51 is a first side elevational view of the embodiment from FIG. 49;

FIG. 52 is a second side elevational view of the embodiment from FIG. 49;

FIG. 53 is a third side elevational view of the embodiment from FIG. 49;

FIG. 54 is a fourth side elevational view of the embodiment from FIG. 49;

FIG. 55 is a top plan view of the embodiment from FIG. 49; and,

FIG. 56 is a bottom plan view of the embodiment from FIG. 49.

1 Claim, 35 Drawing Sheets

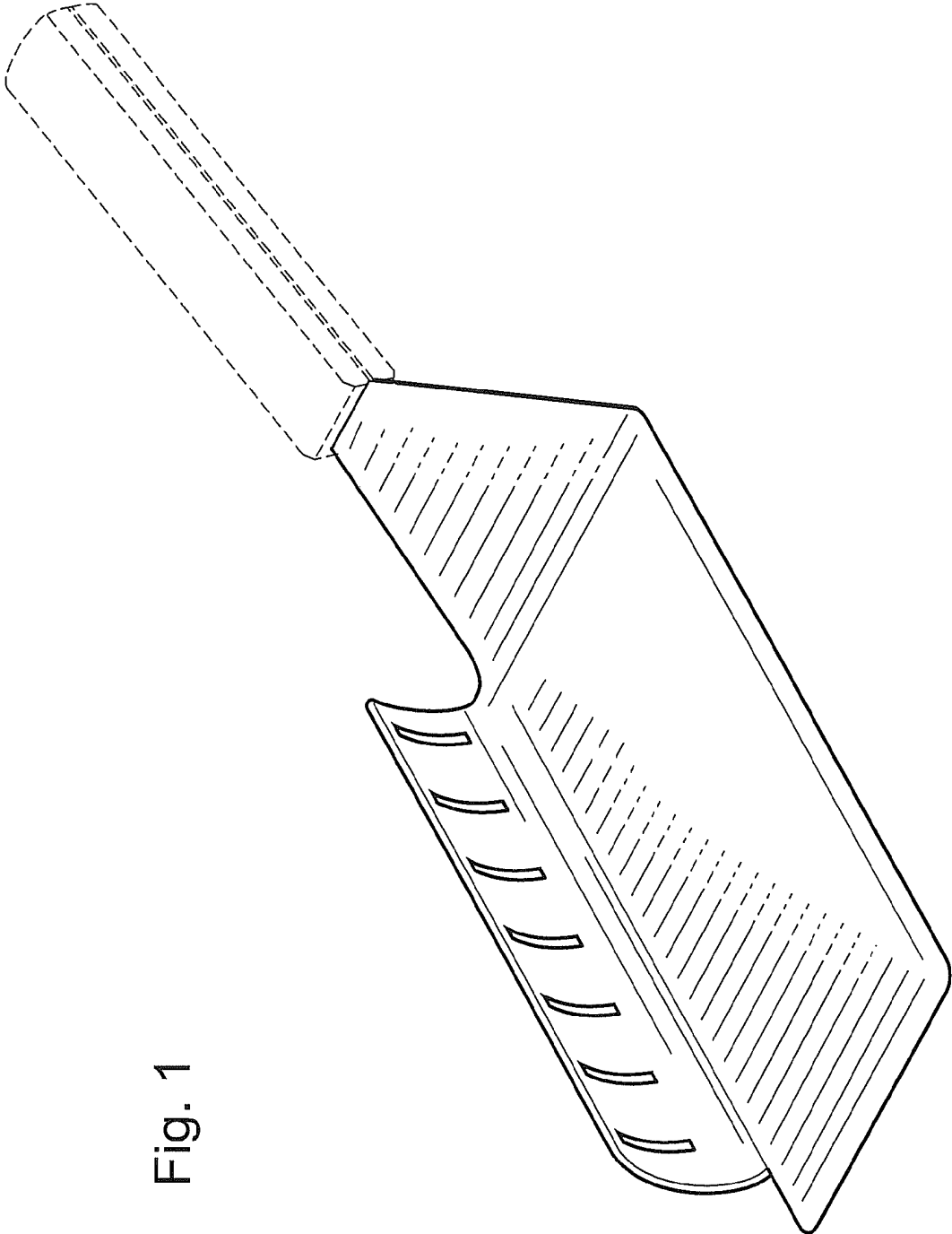
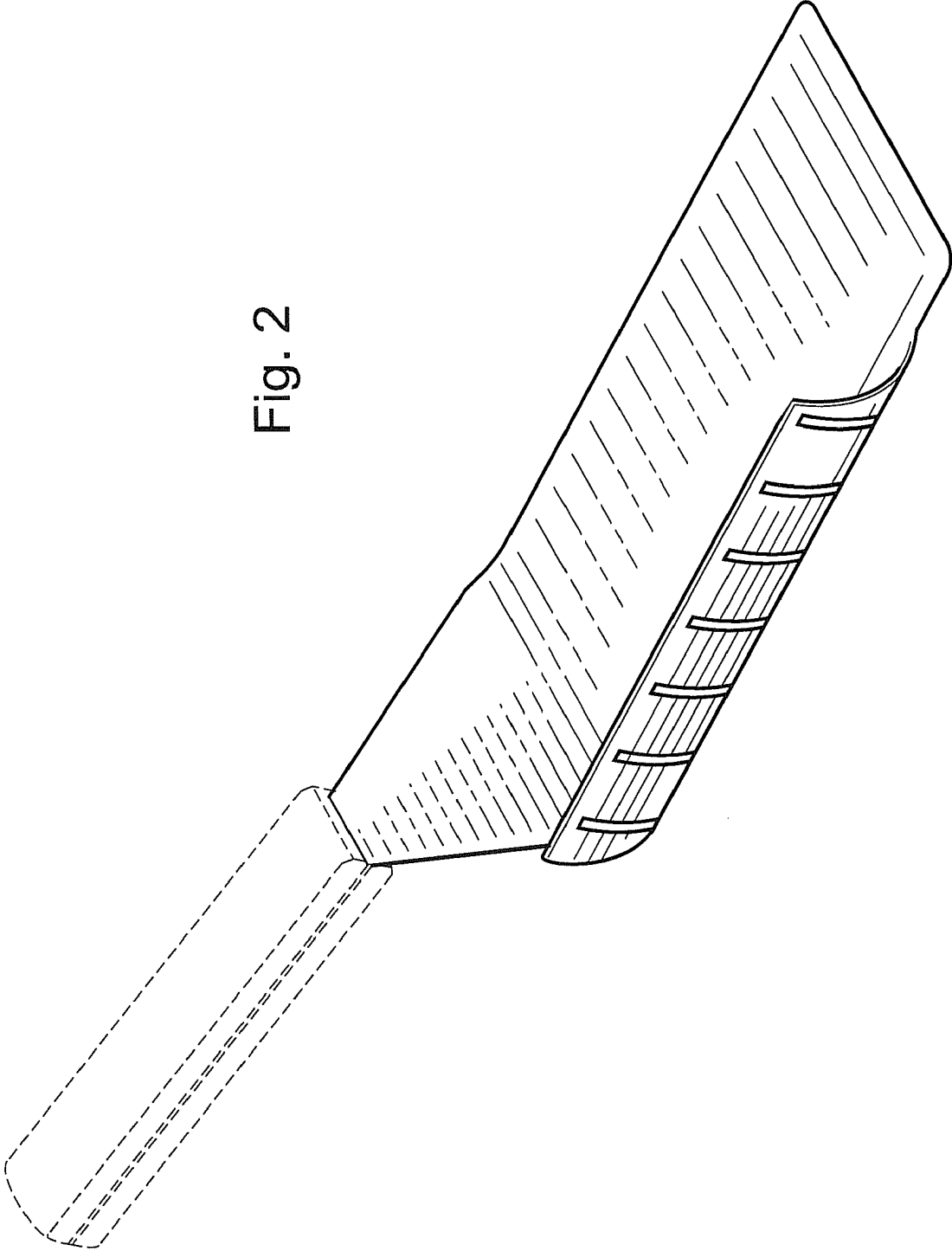


Fig. 1

Fig. 2



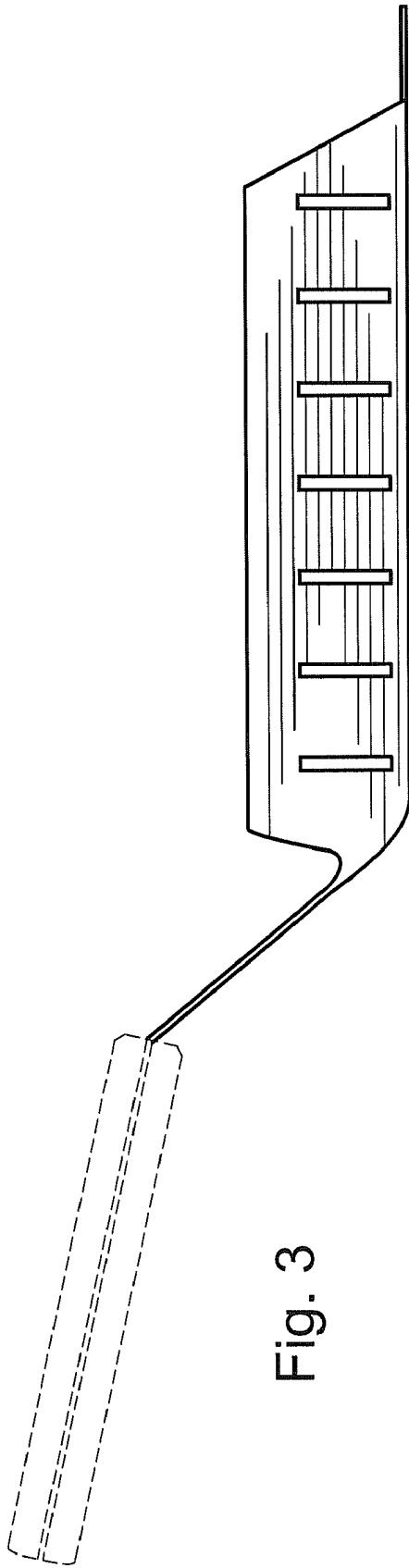


Fig. 3

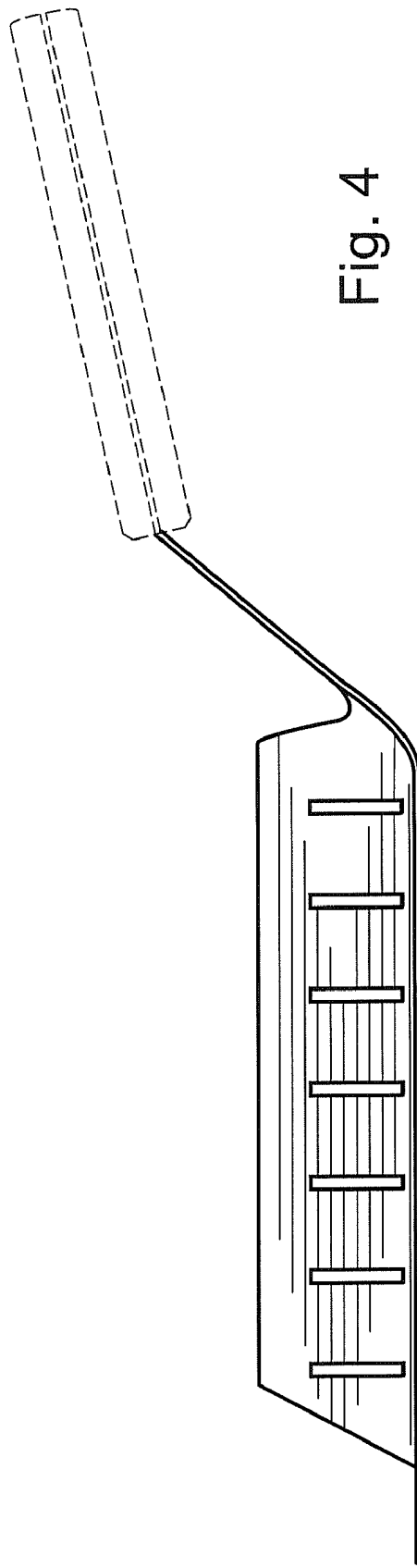


Fig. 4

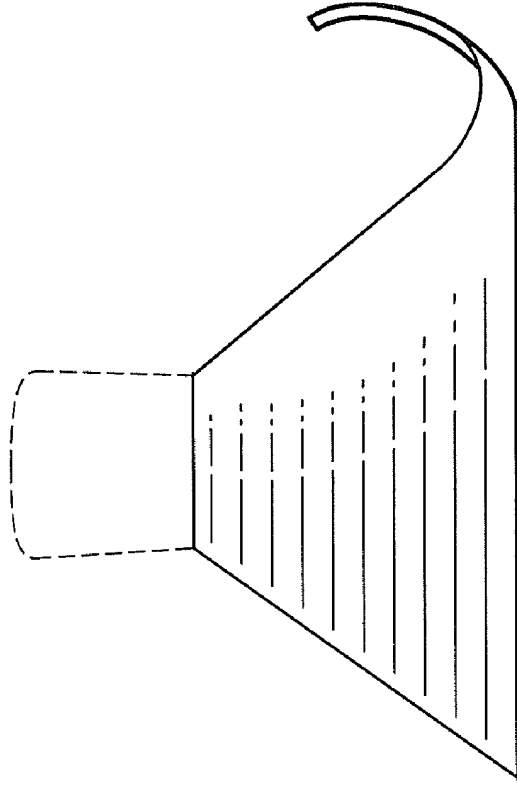


Fig. 6

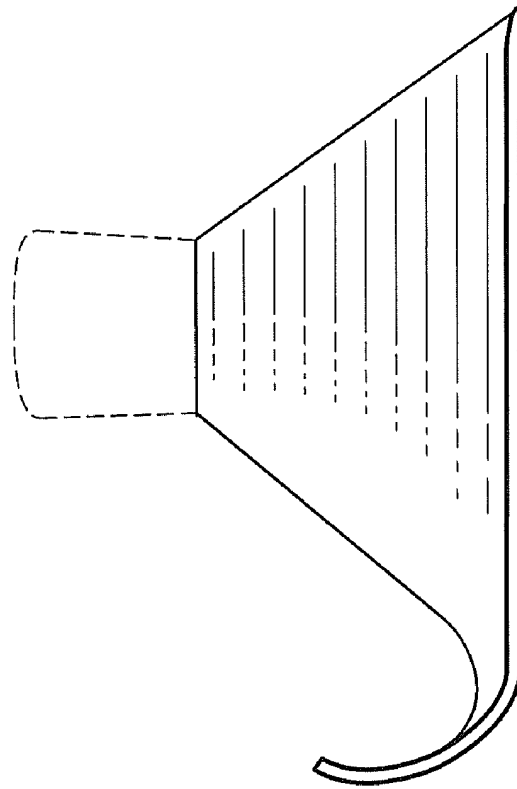
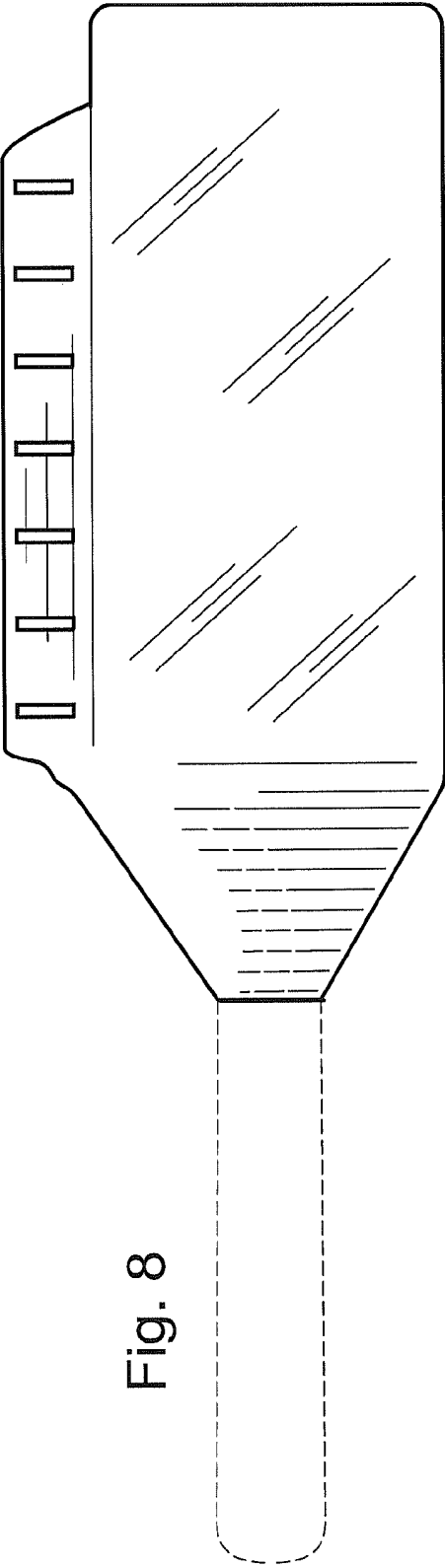
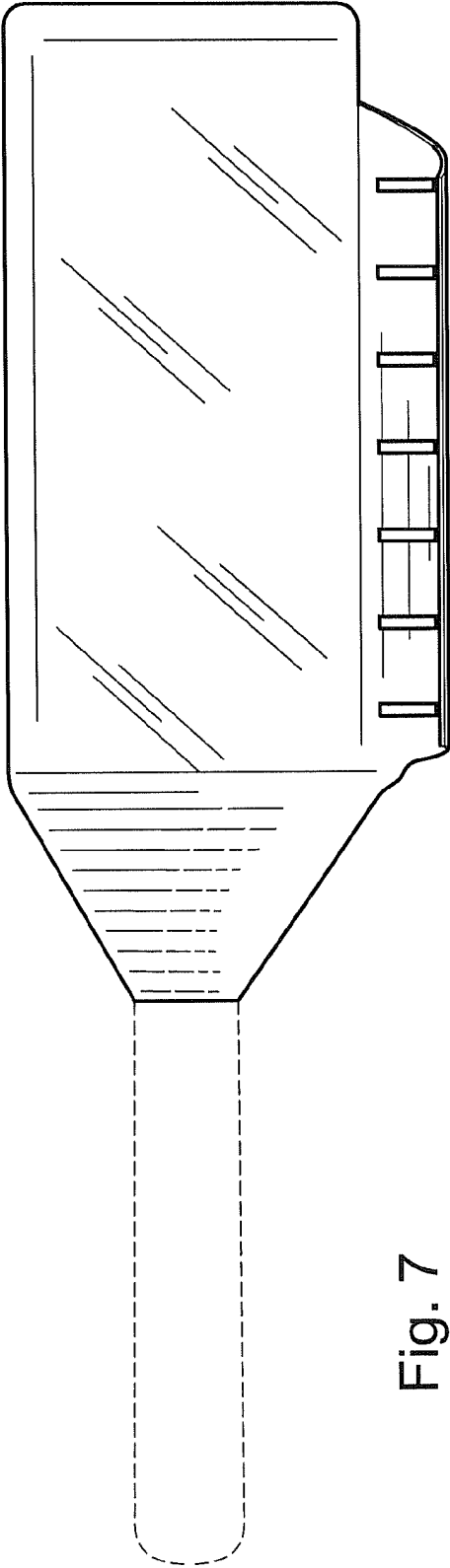


Fig. 5



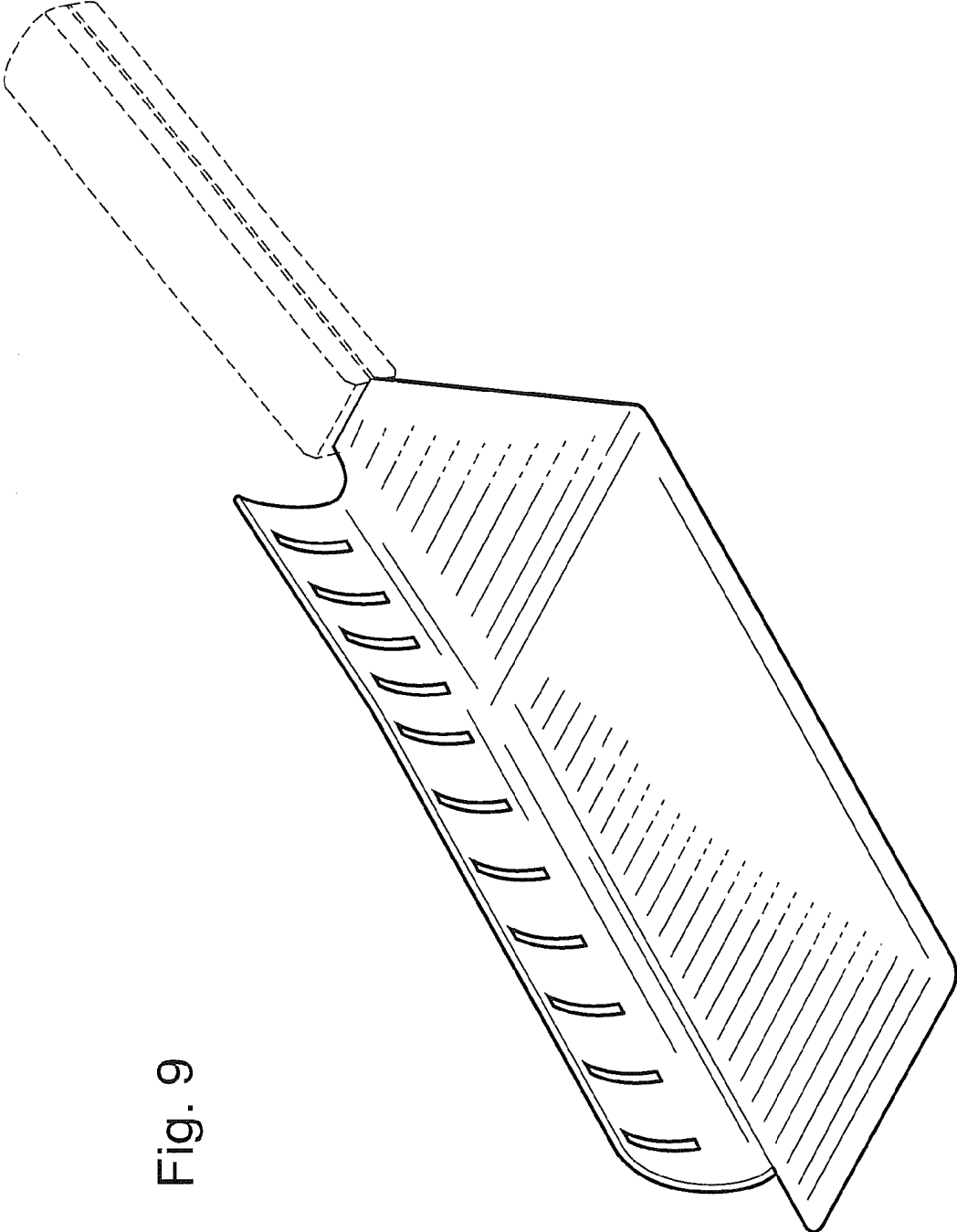
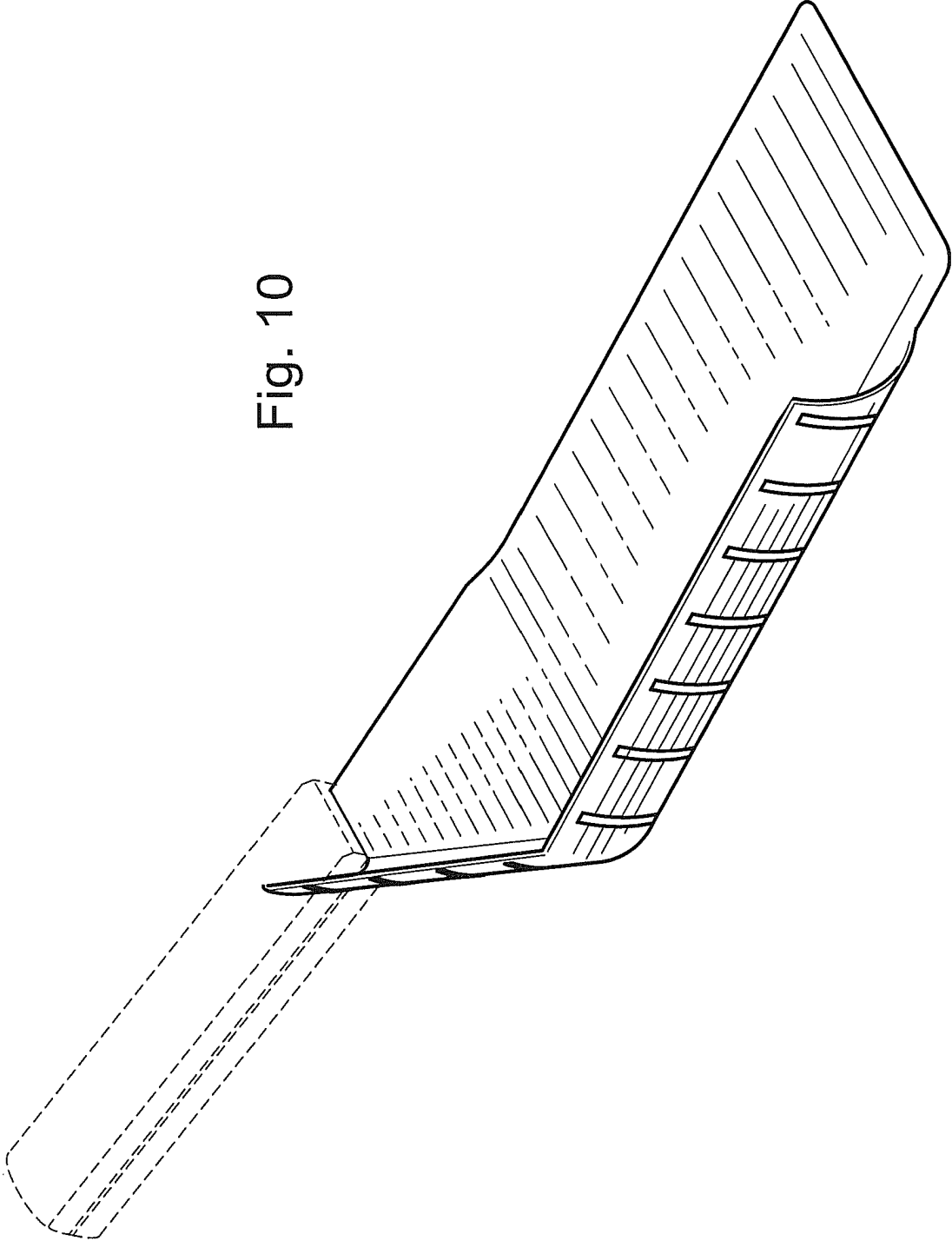


Fig. 9

Fig. 10



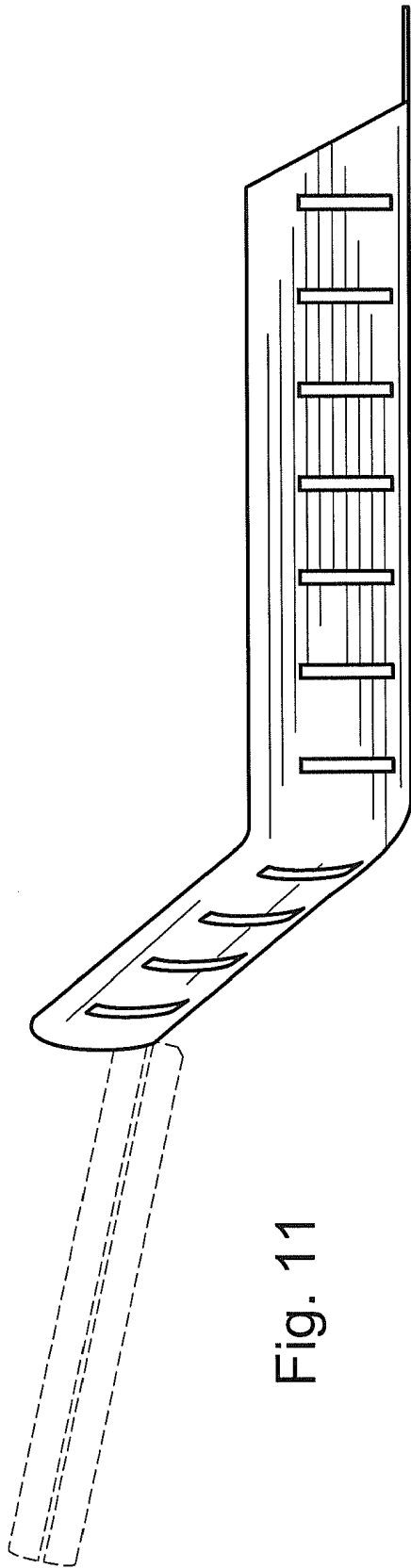


Fig. 11

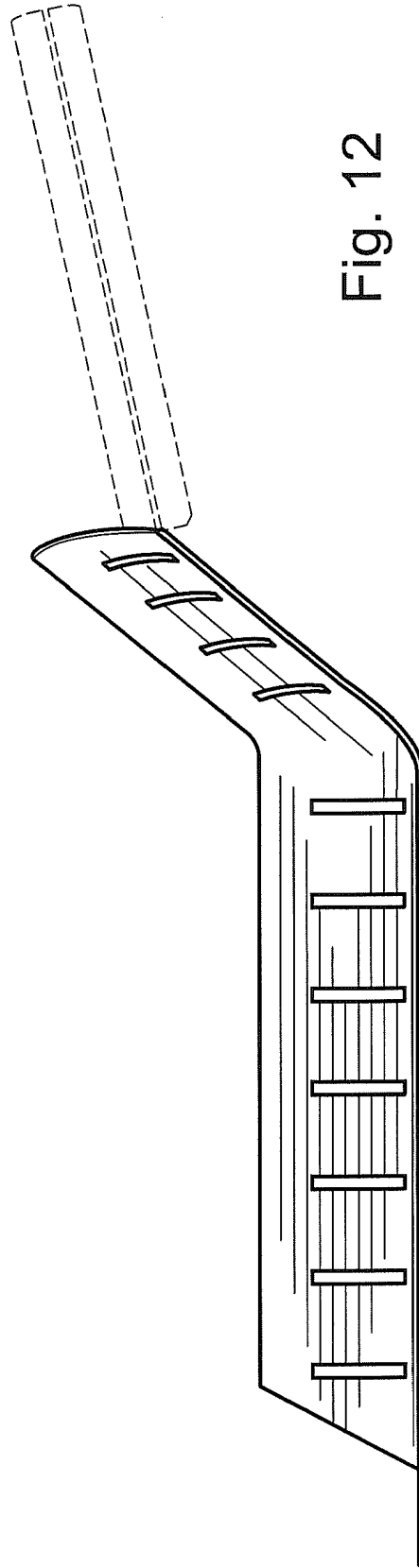


Fig. 12

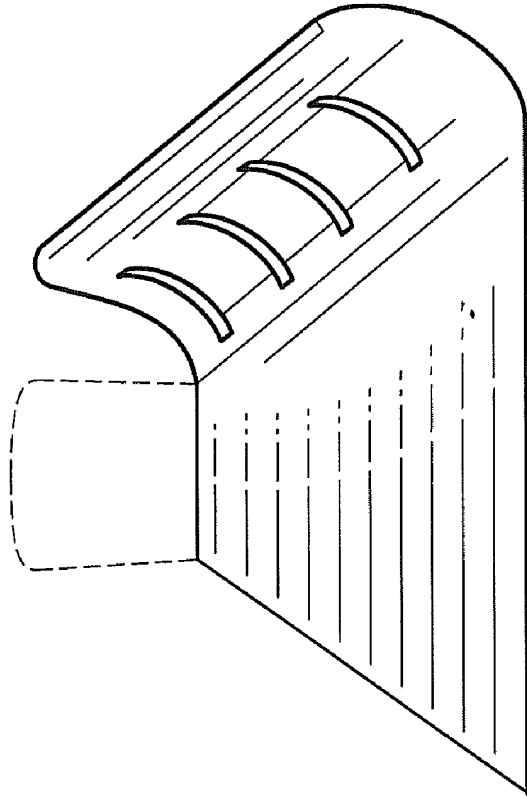


Fig. 14

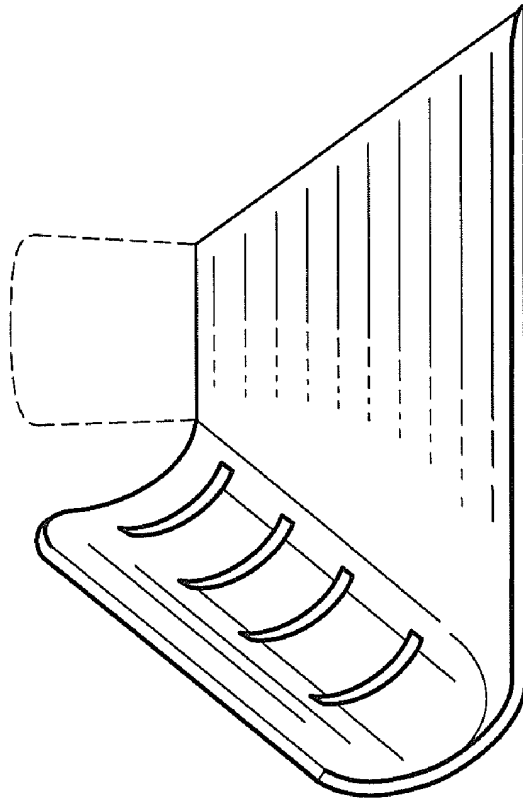
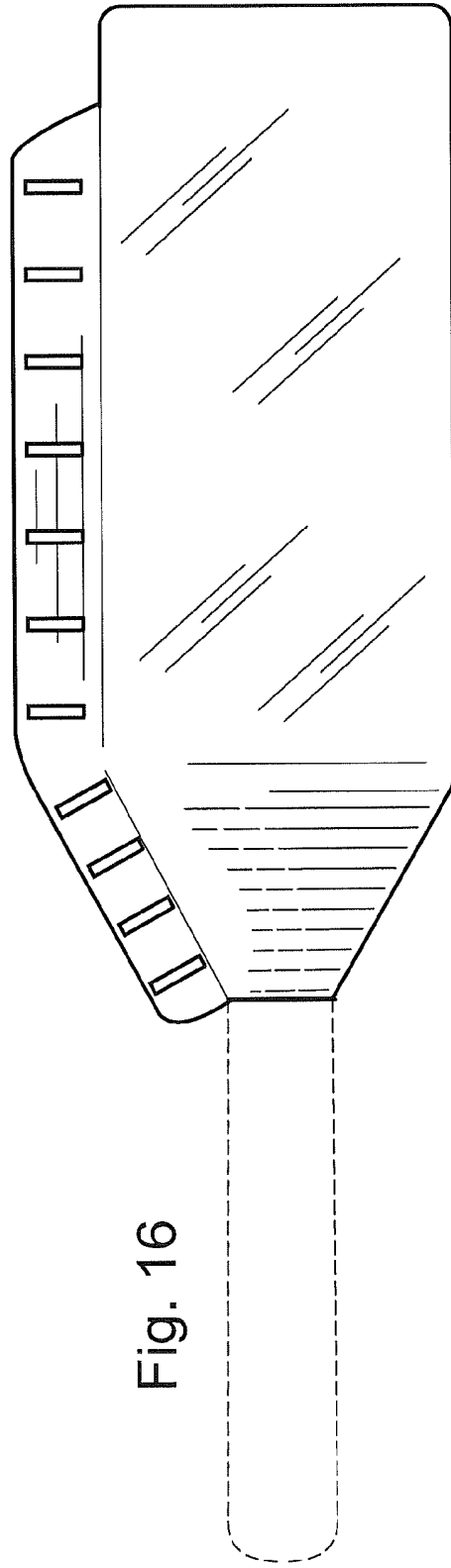
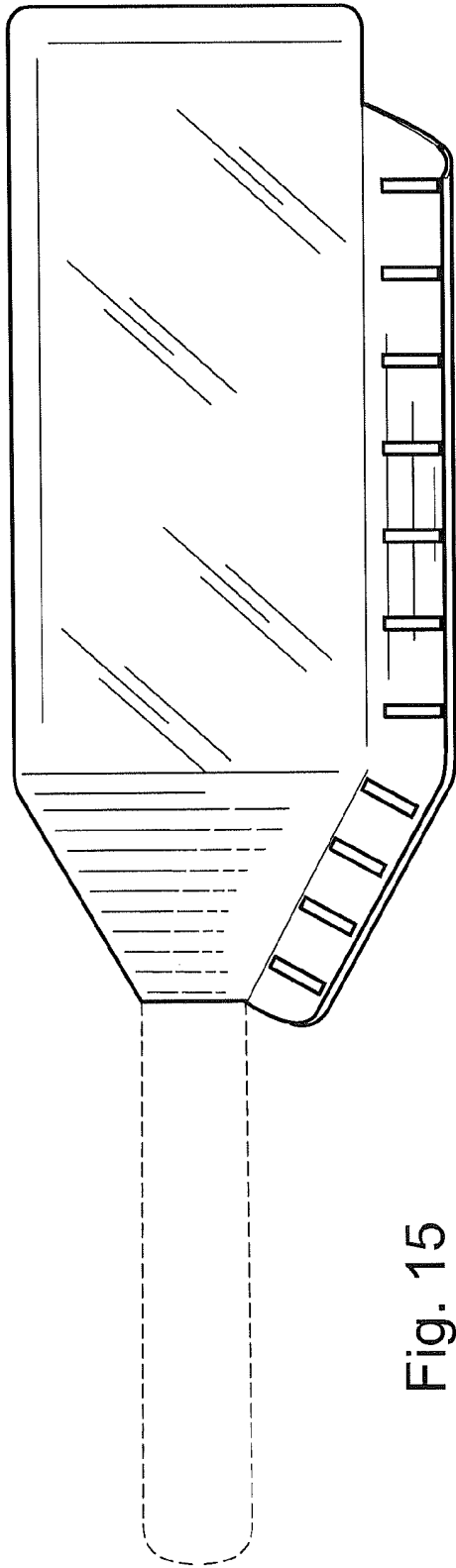


Fig. 13



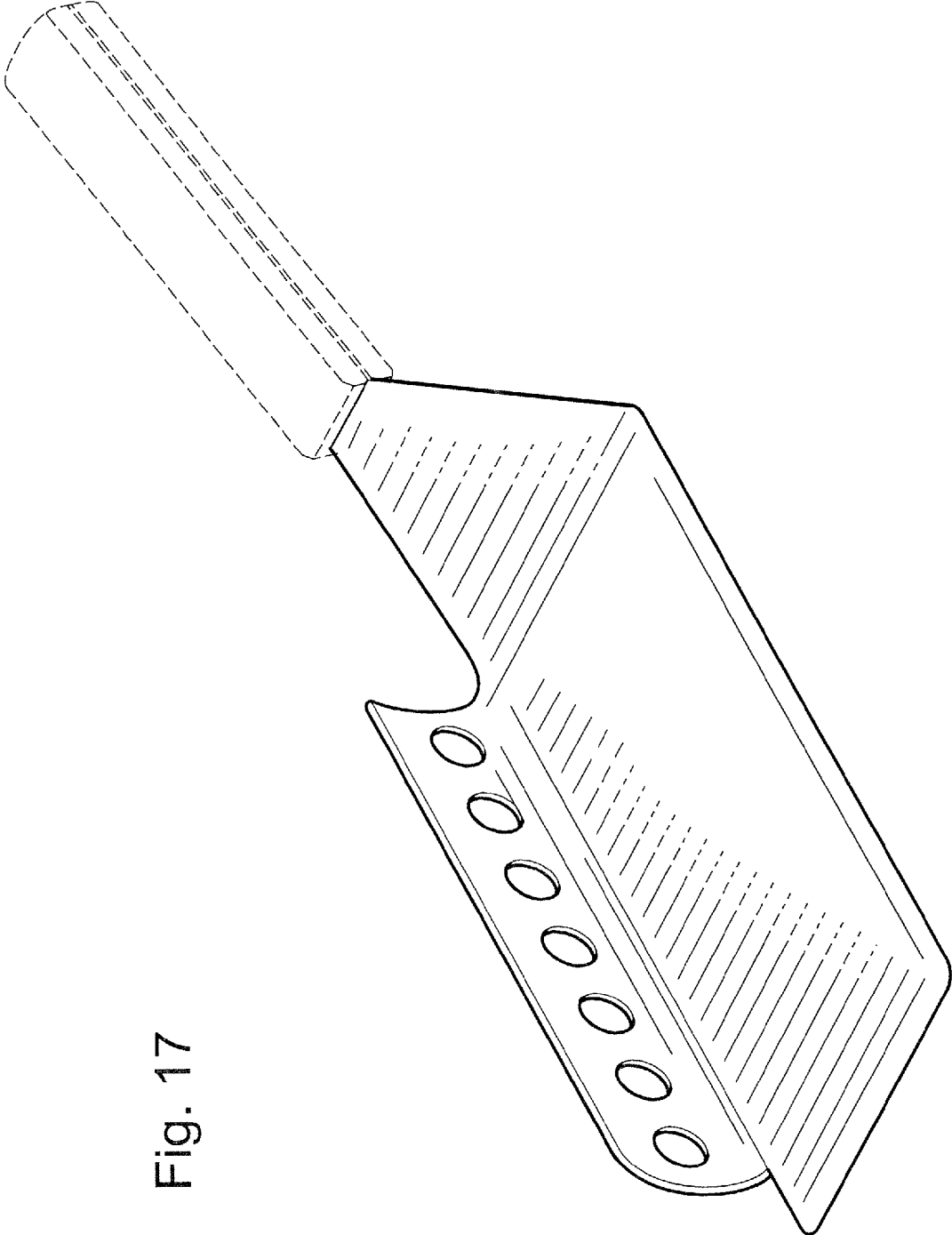
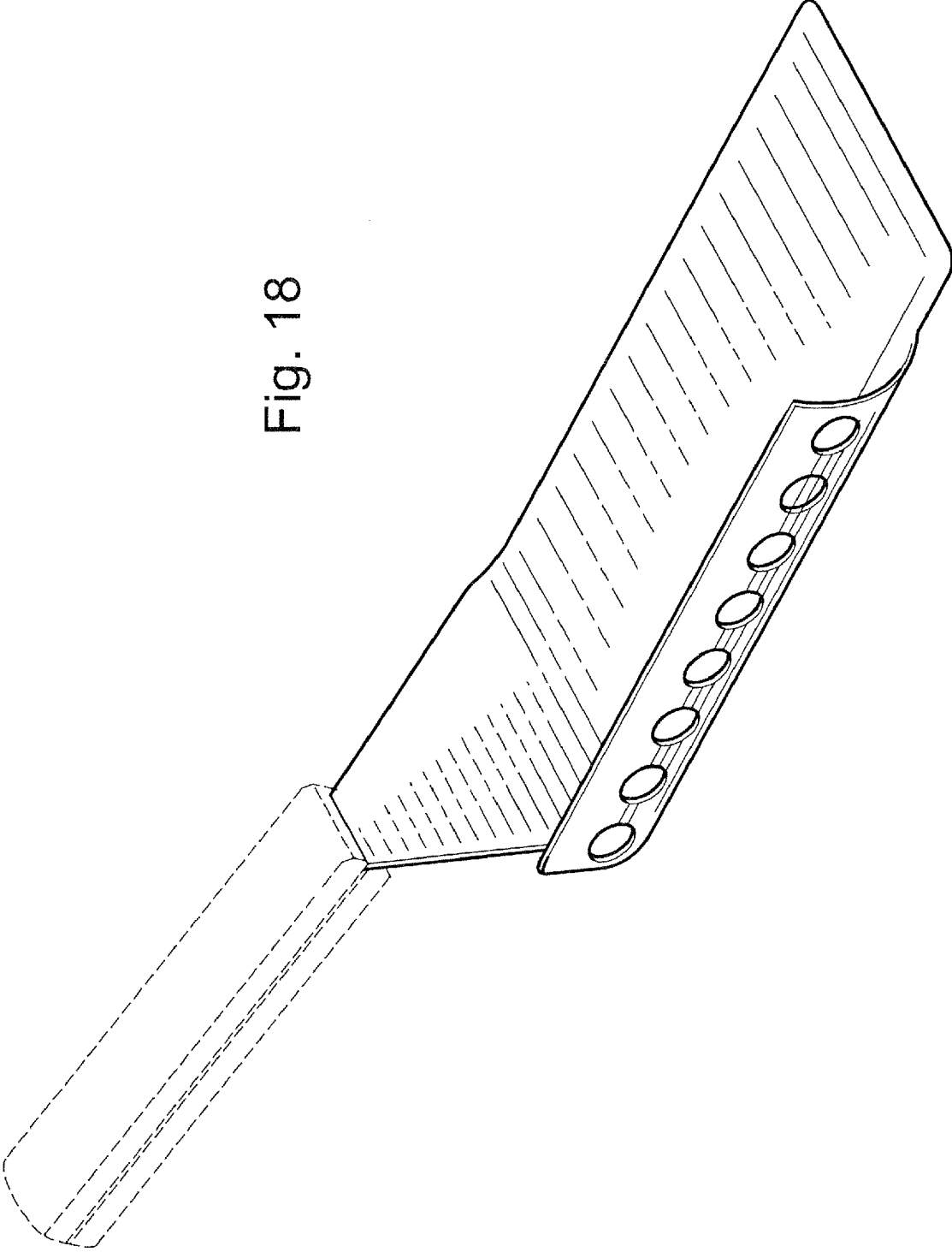


Fig. 17

Fig. 18



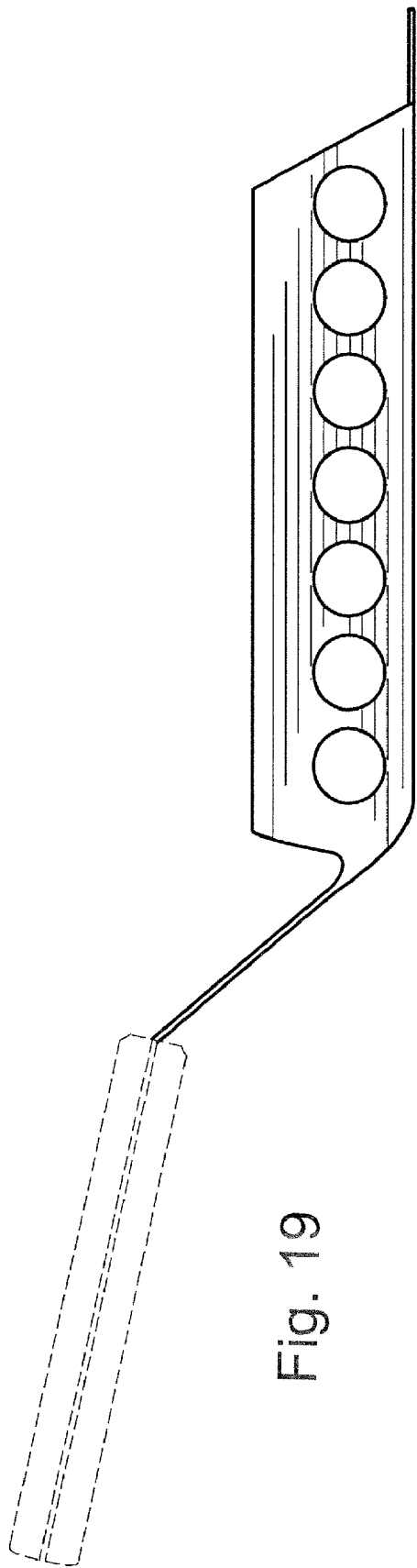


Fig. 19

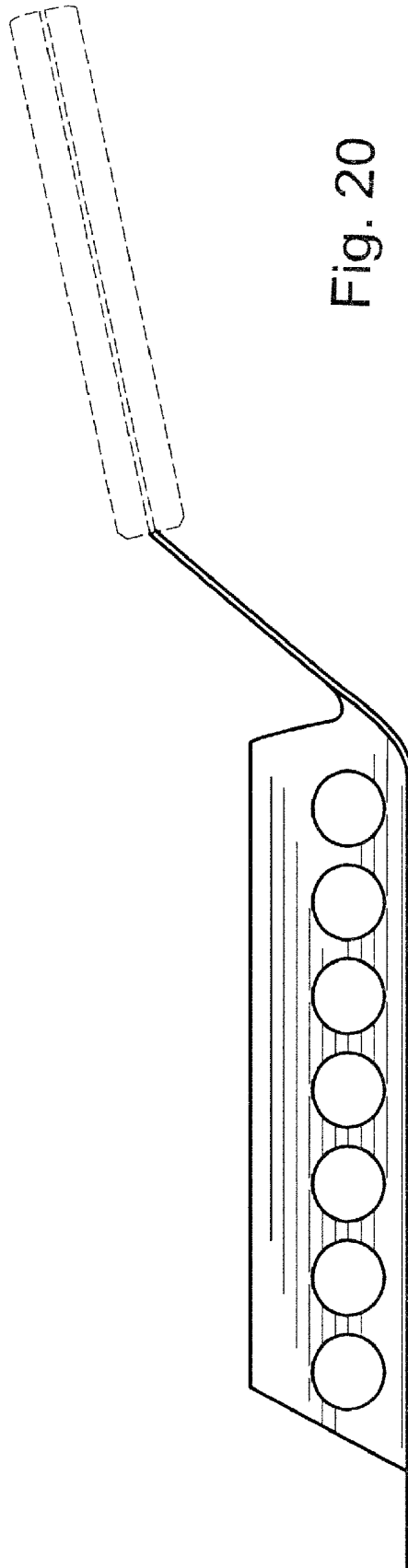


Fig. 20

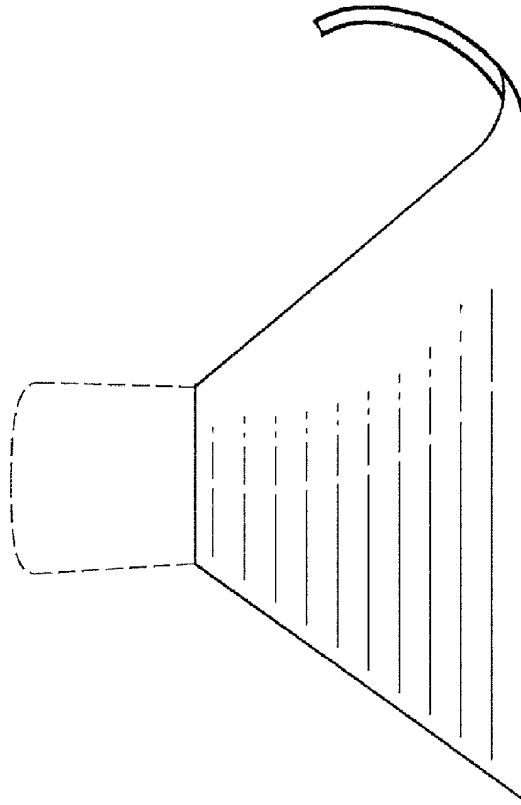


Fig. 21

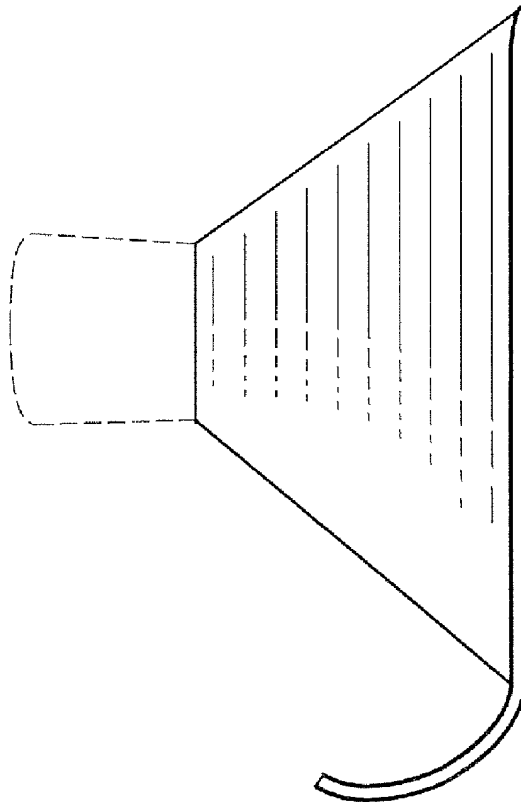


Fig. 22

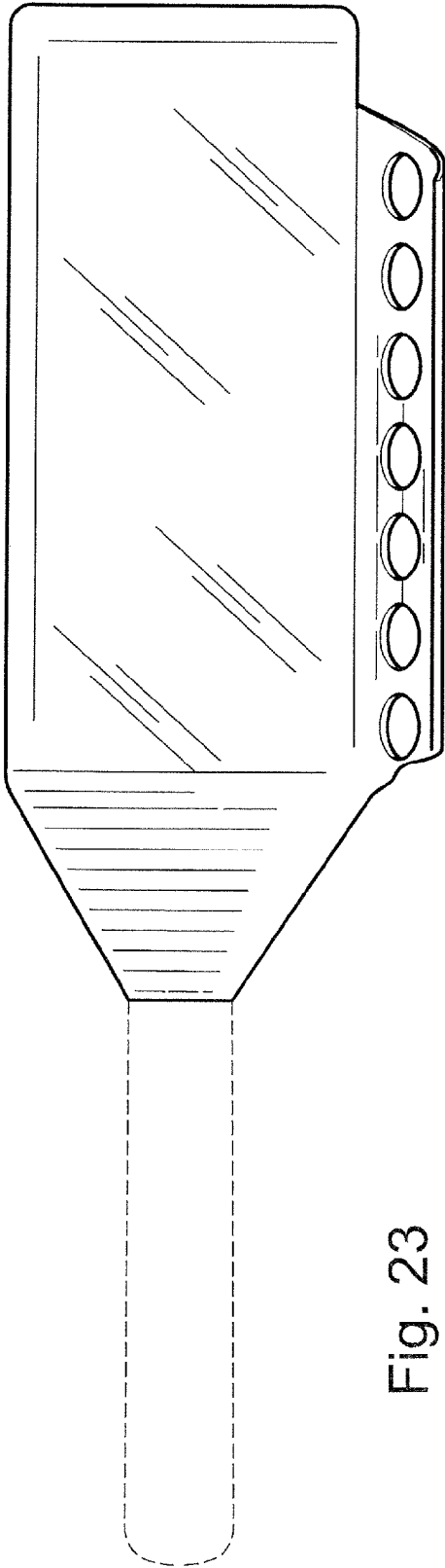


Fig. 23

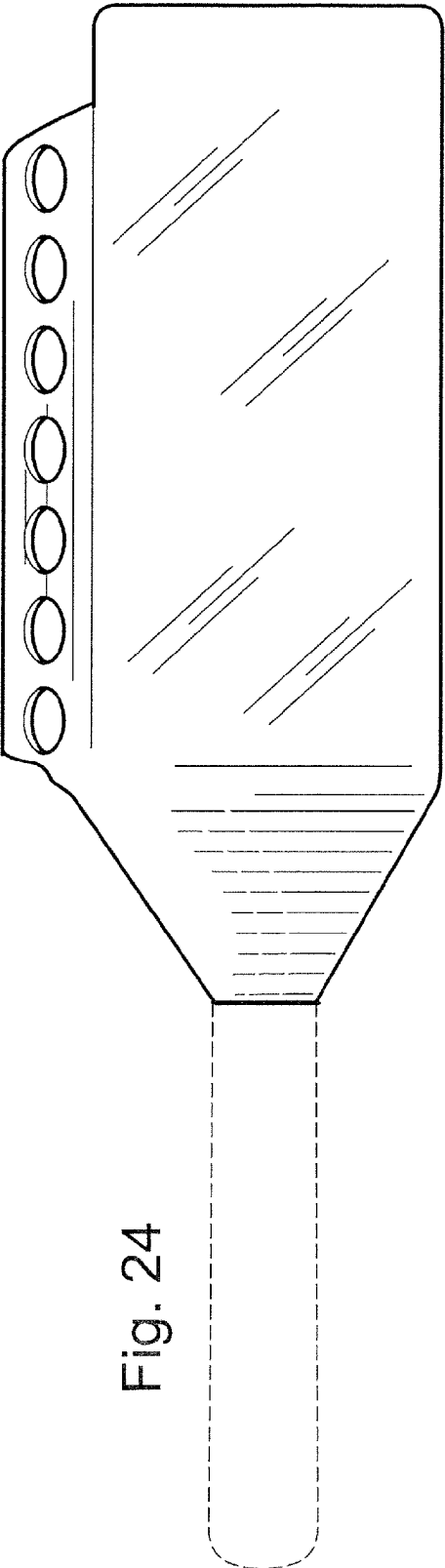


Fig. 24

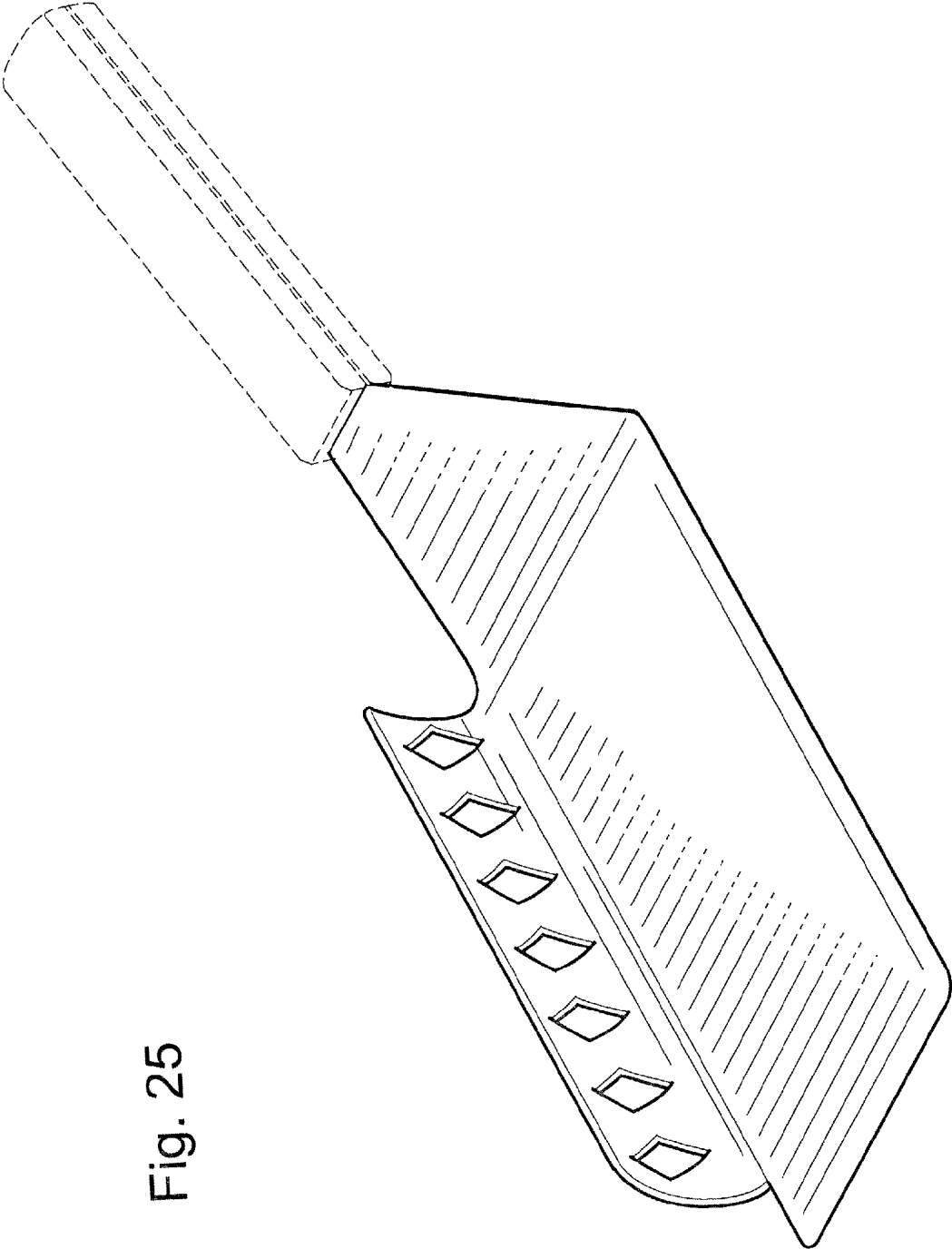
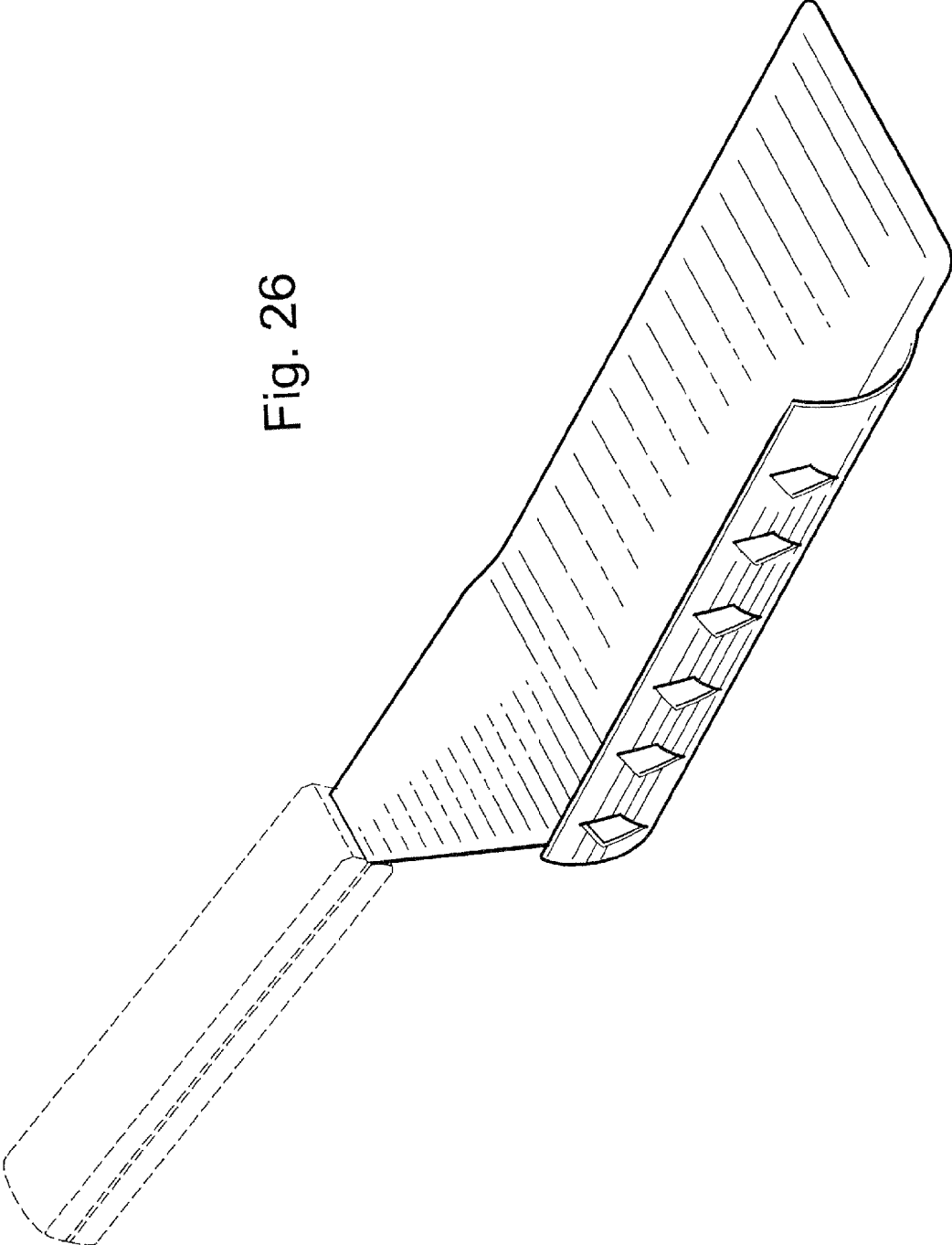


Fig. 25

Fig. 26



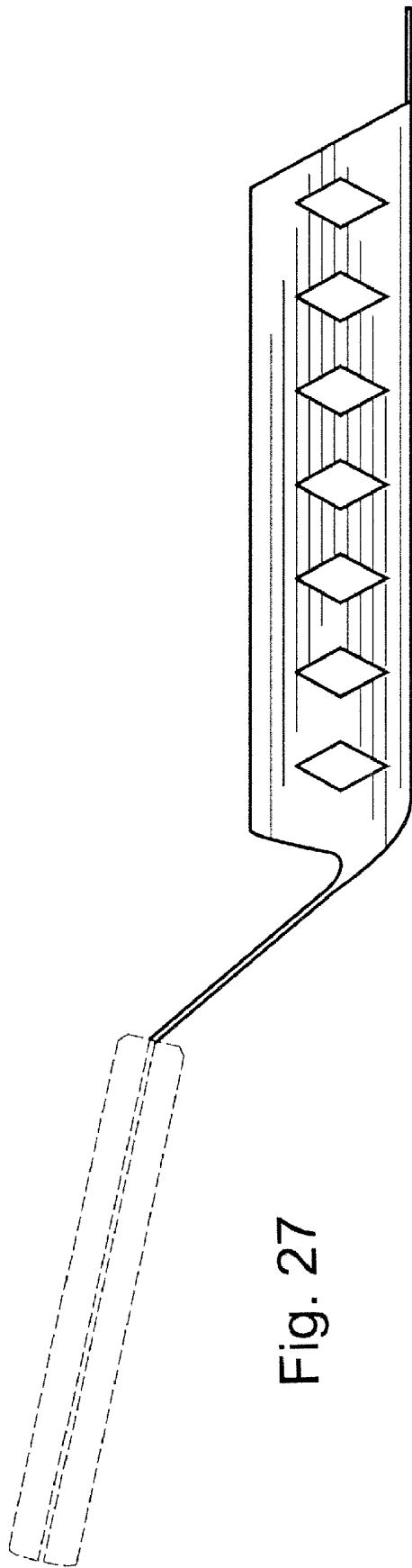


Fig. 27

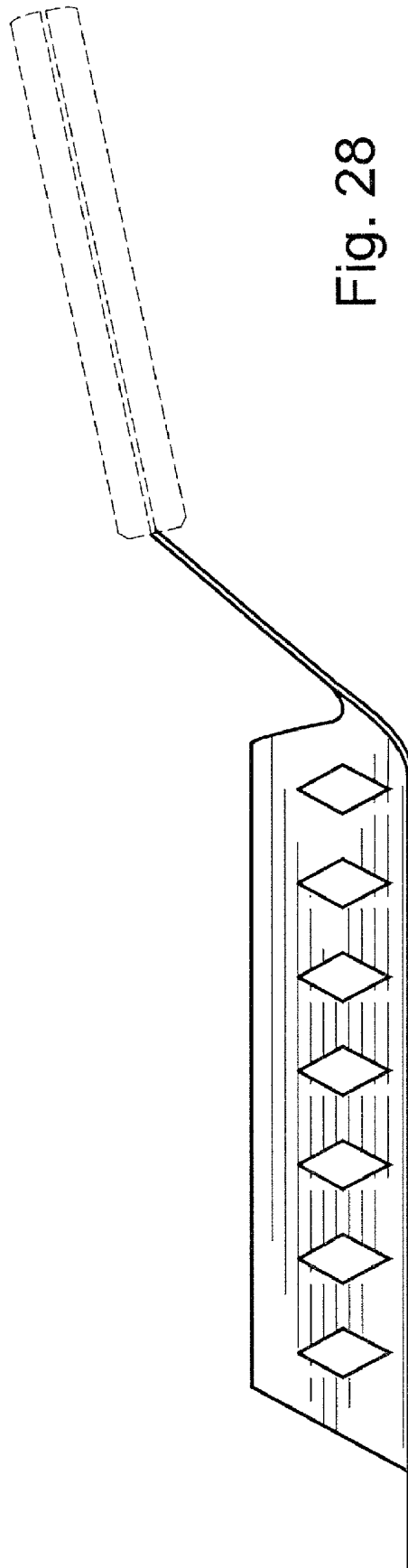


Fig. 28

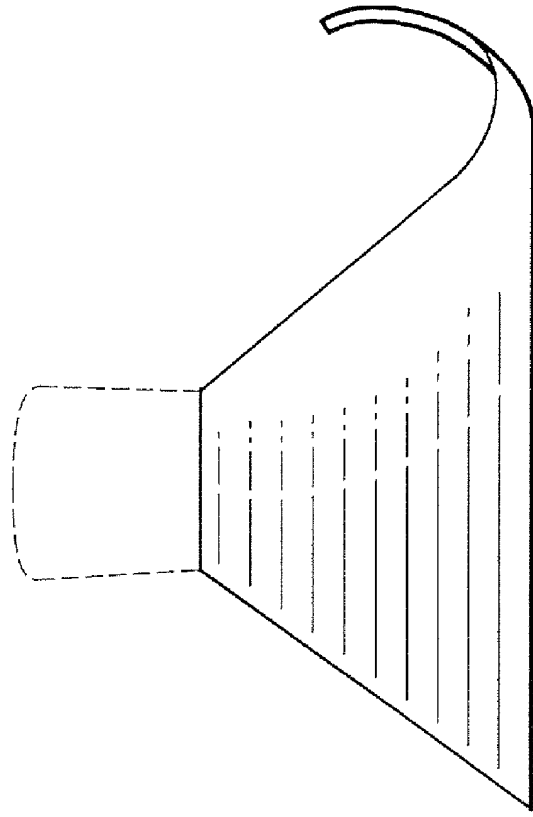


Fig. 29

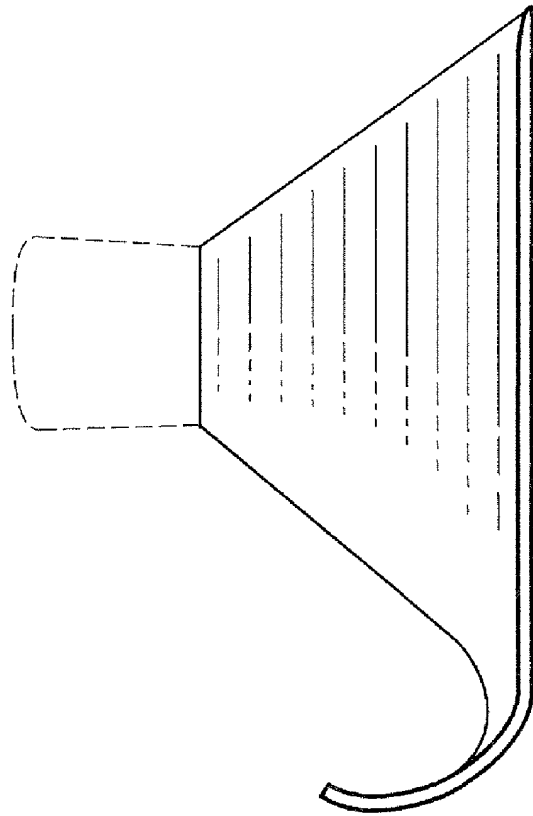
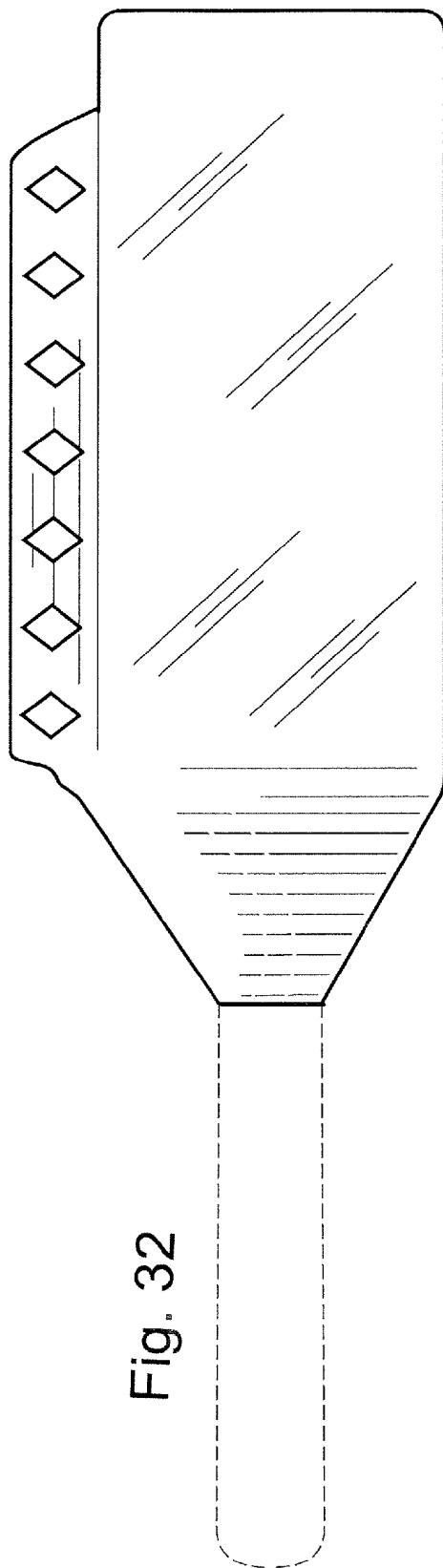
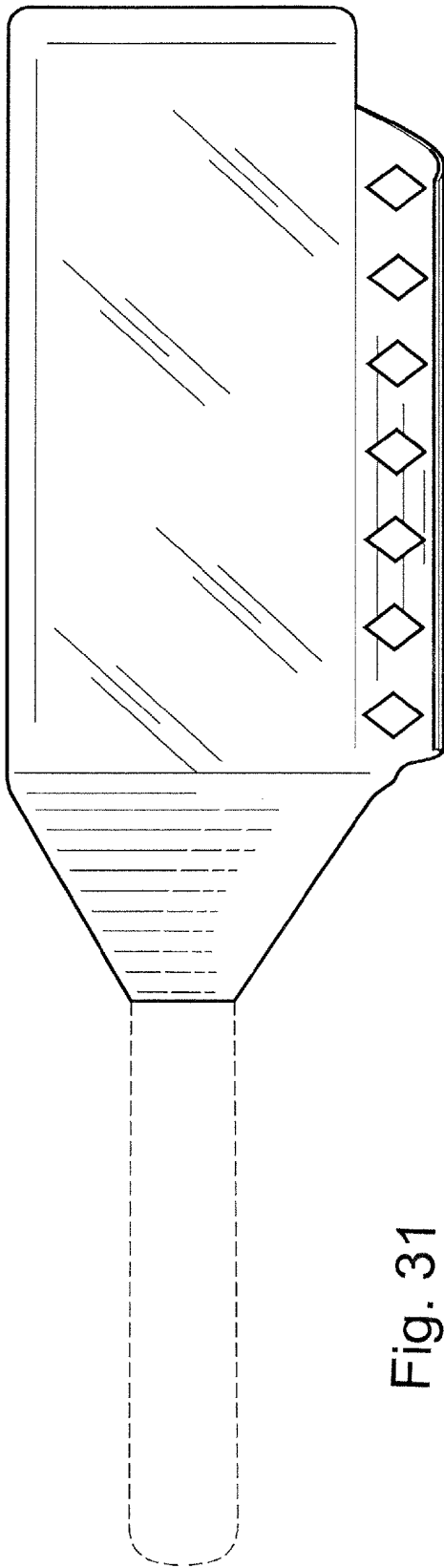


Fig. 30



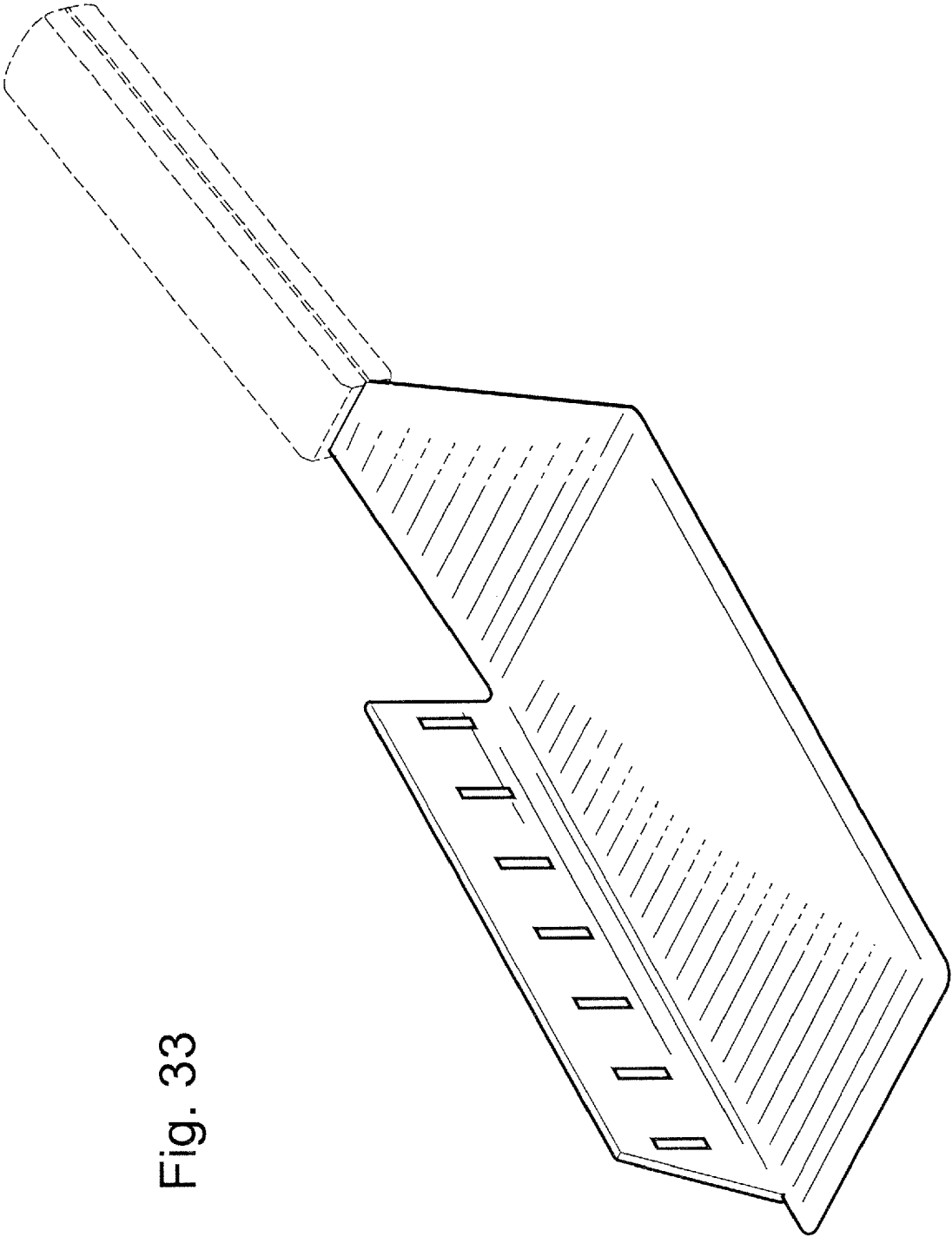


Fig. 33

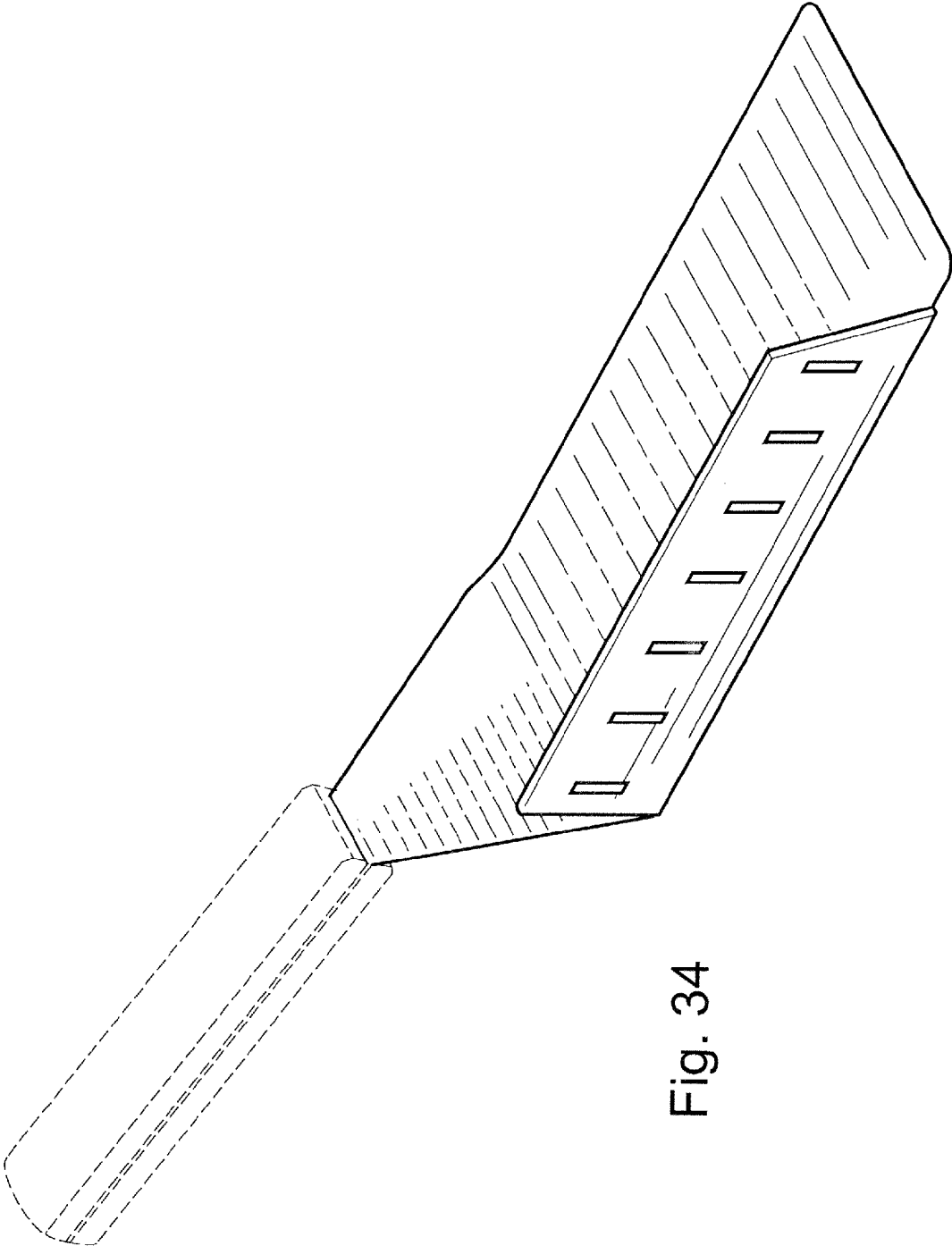


Fig. 34

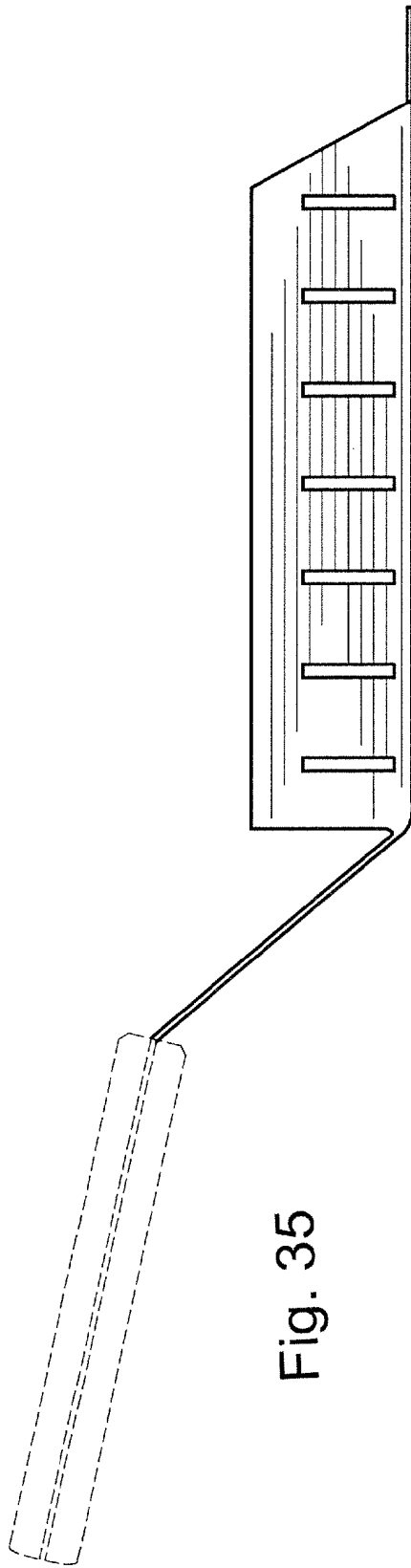


Fig. 35

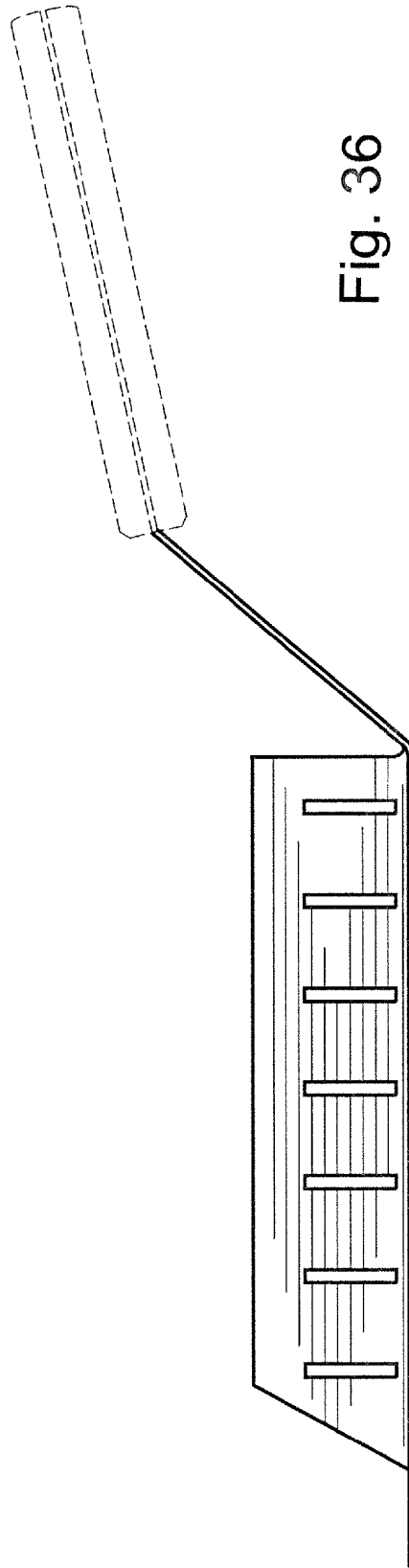


Fig. 36

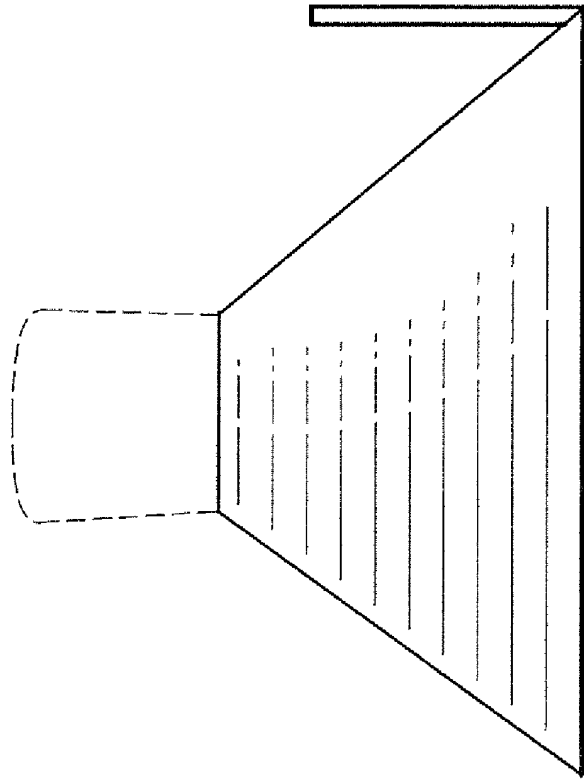


Fig. 38

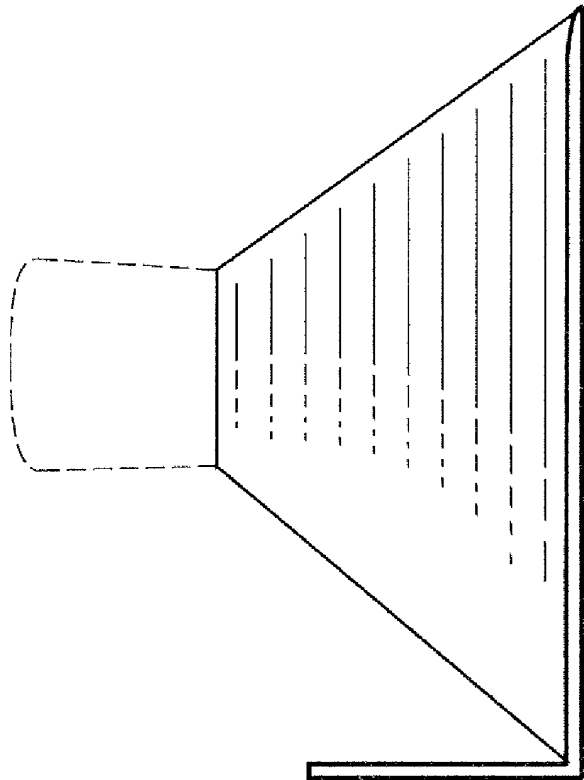


Fig. 37

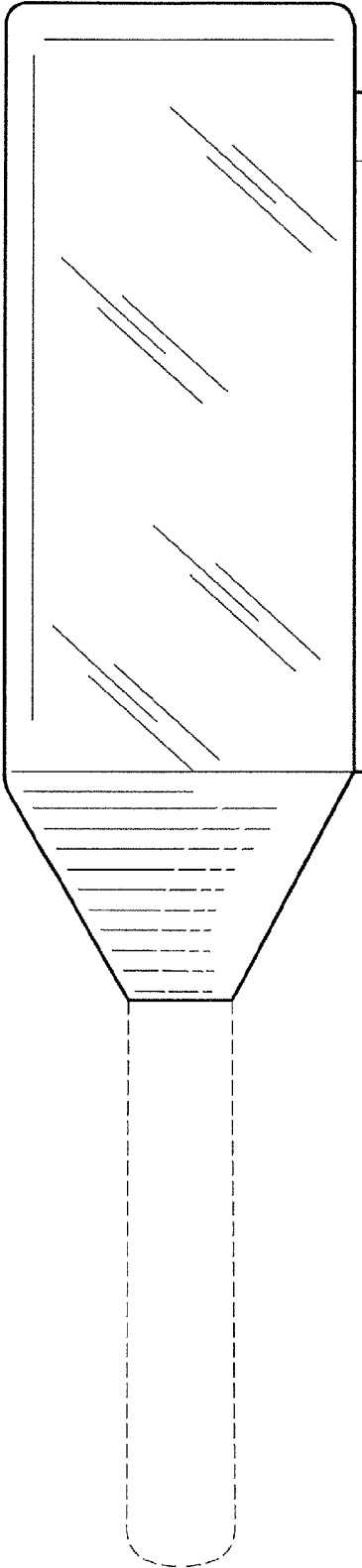


Fig. 39

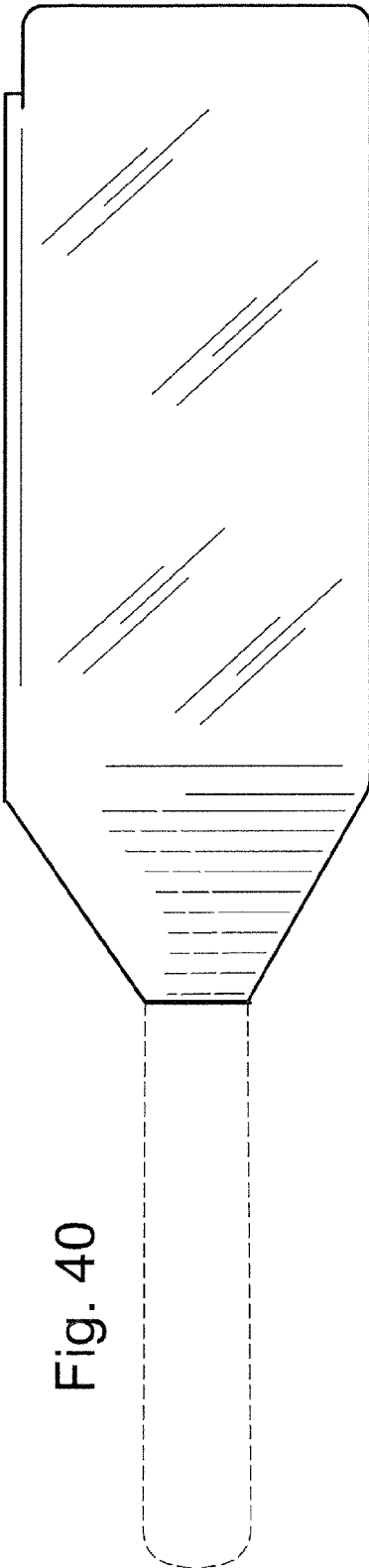


Fig. 40

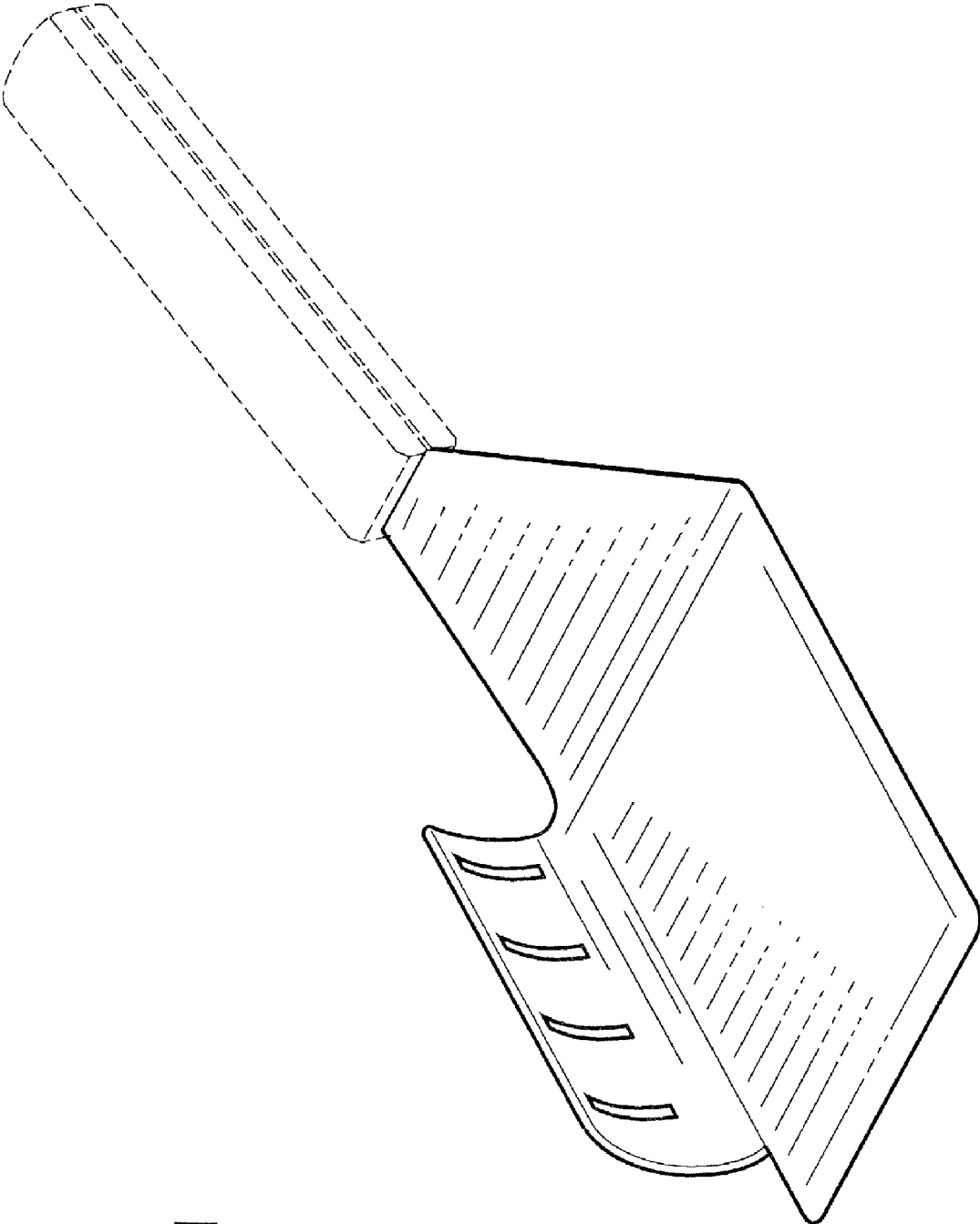
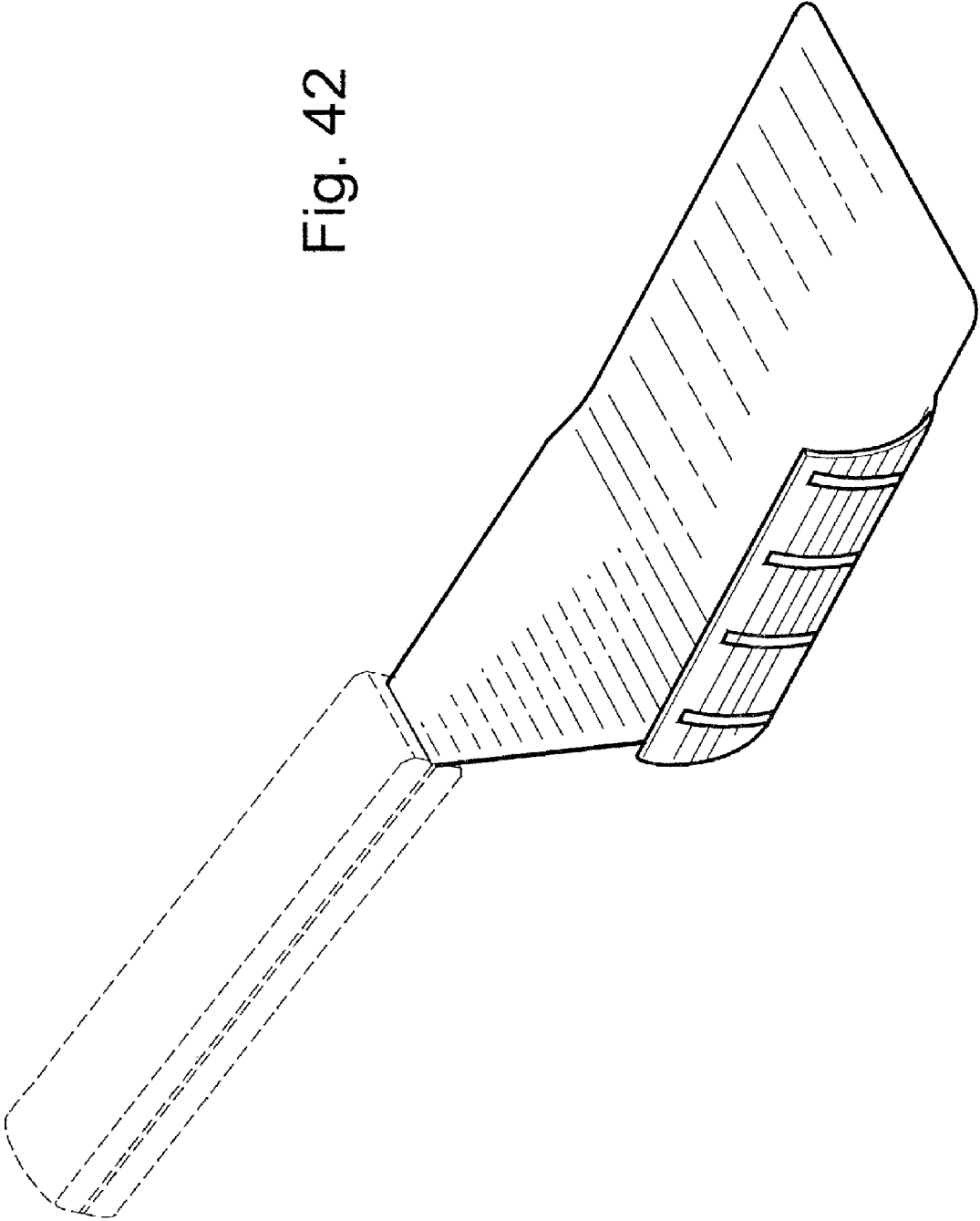


Fig. 41

Fig. 42



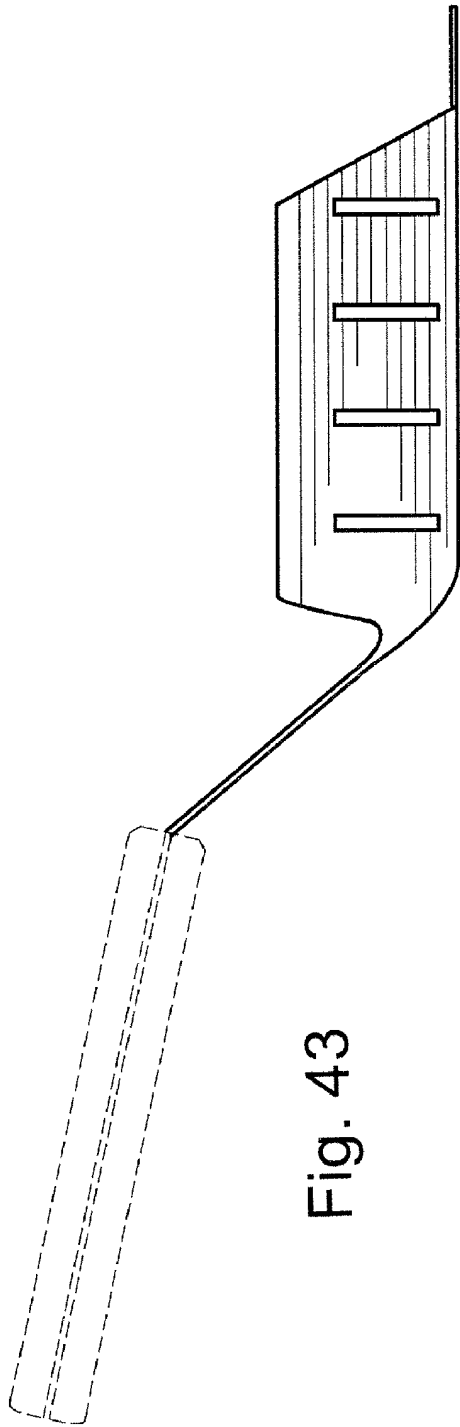


Fig. 43

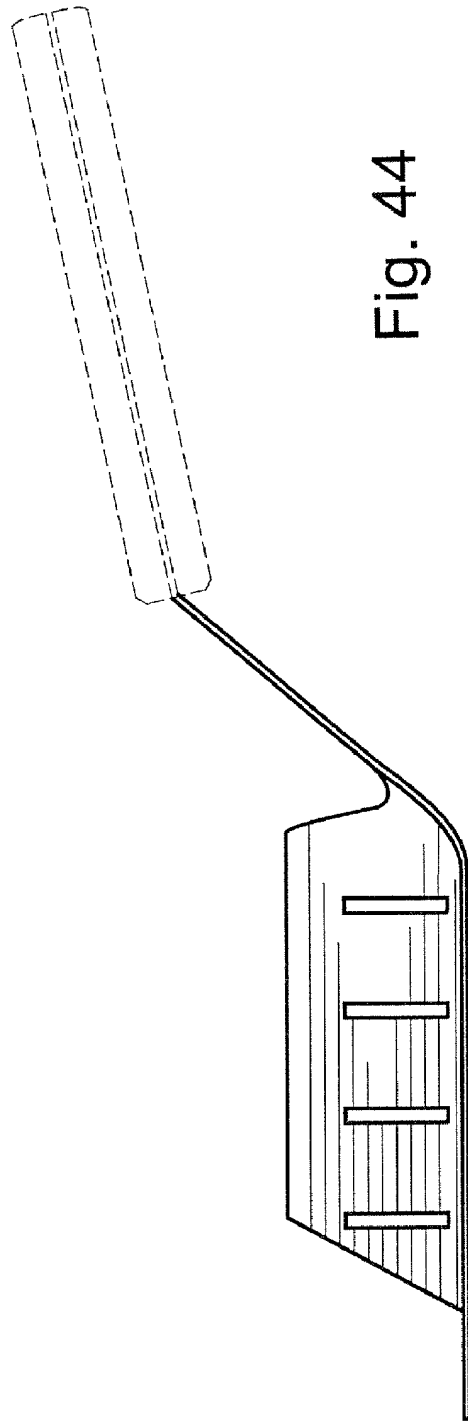


Fig. 44

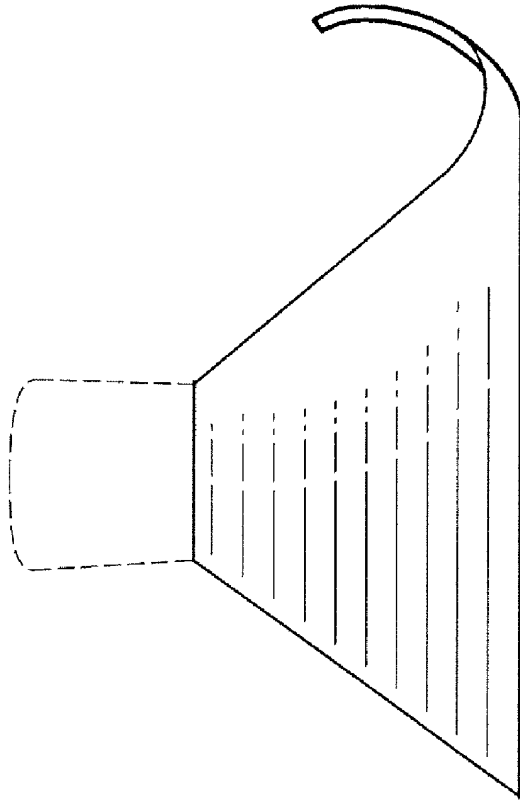


Fig. 46

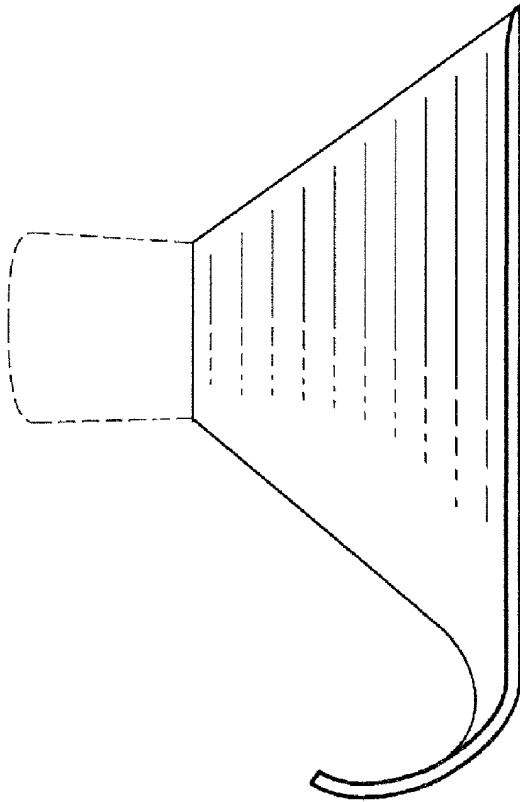


Fig. 45

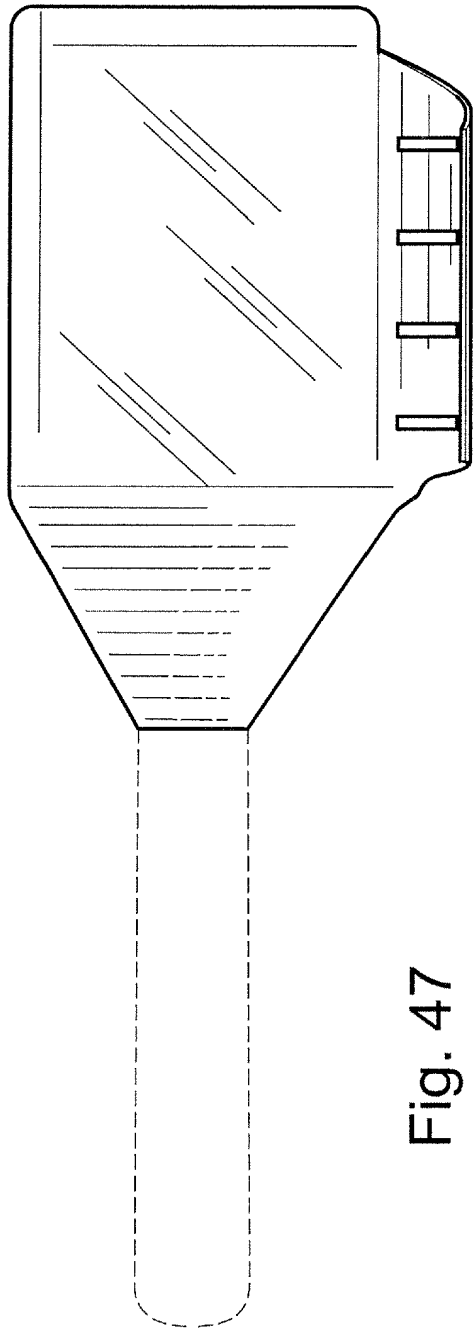


Fig. 47

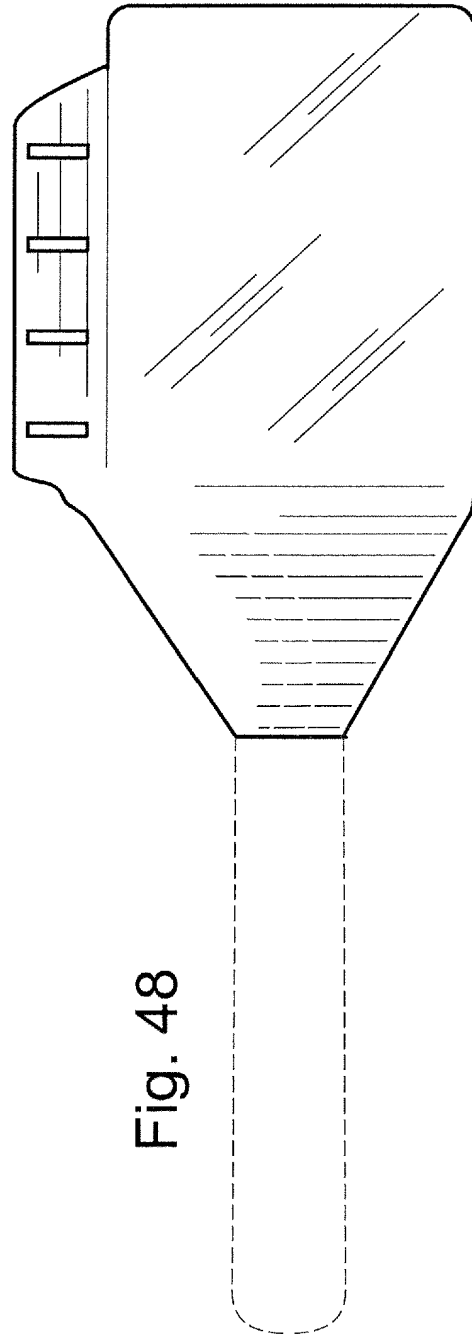


Fig. 48

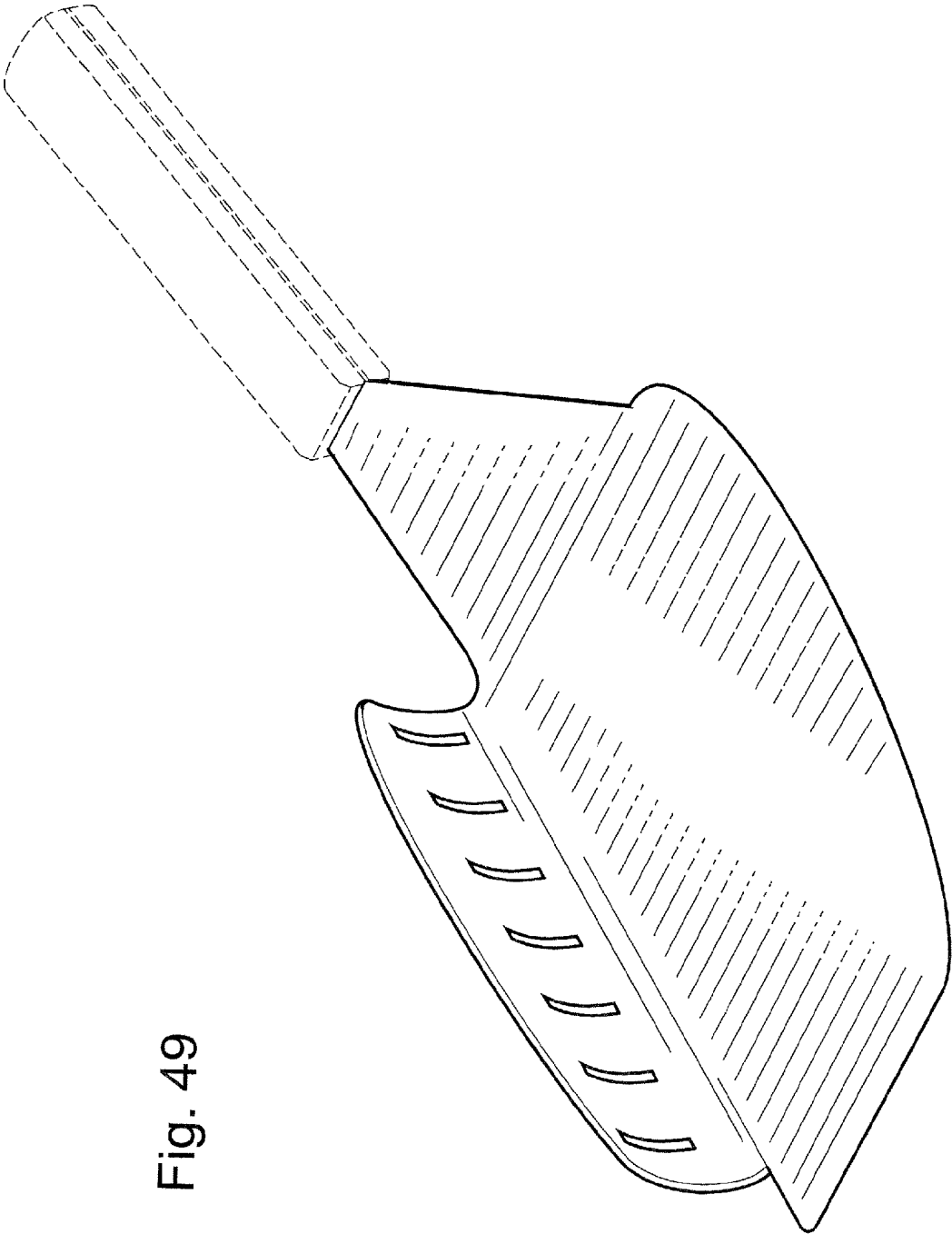
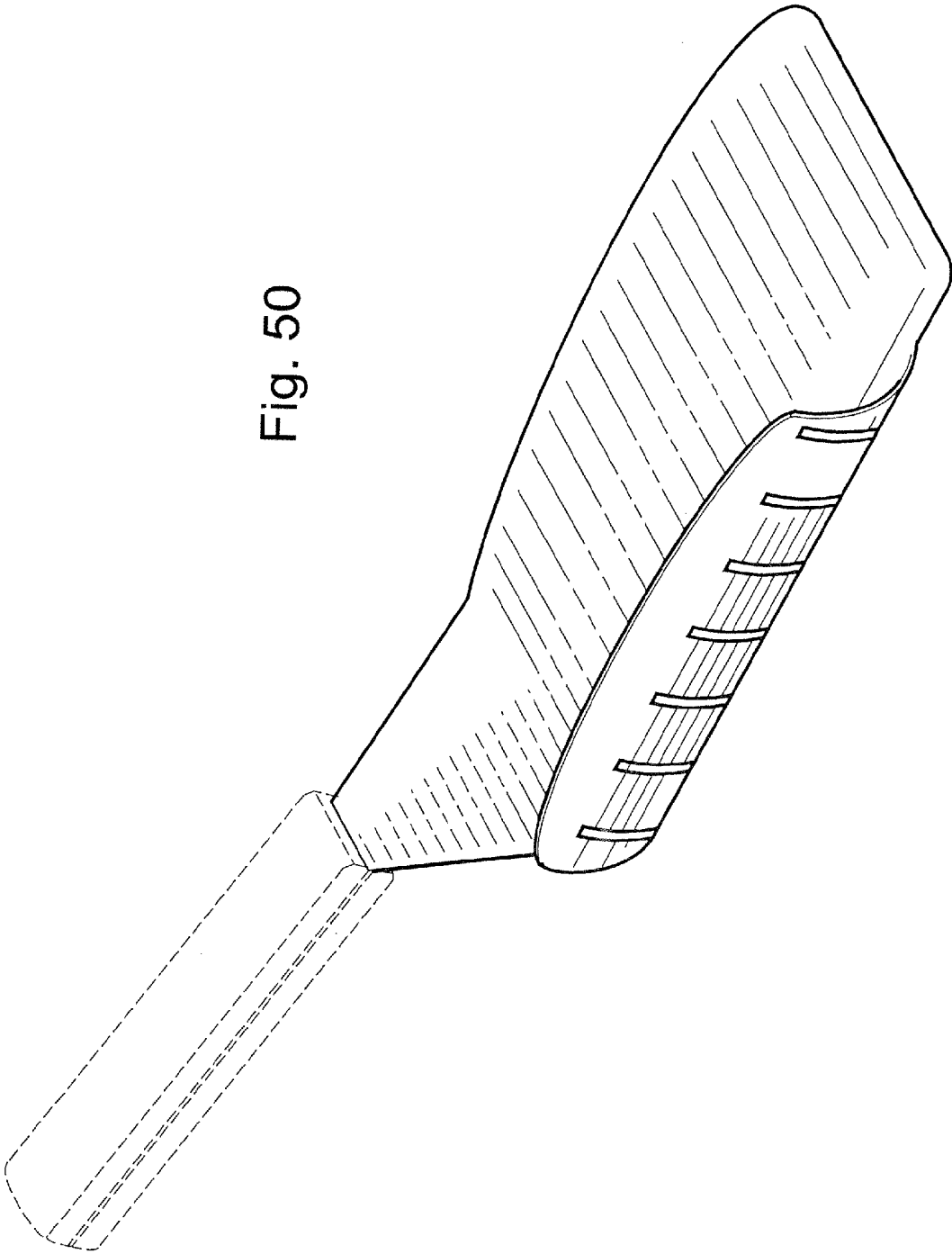


Fig. 49

Fig. 50



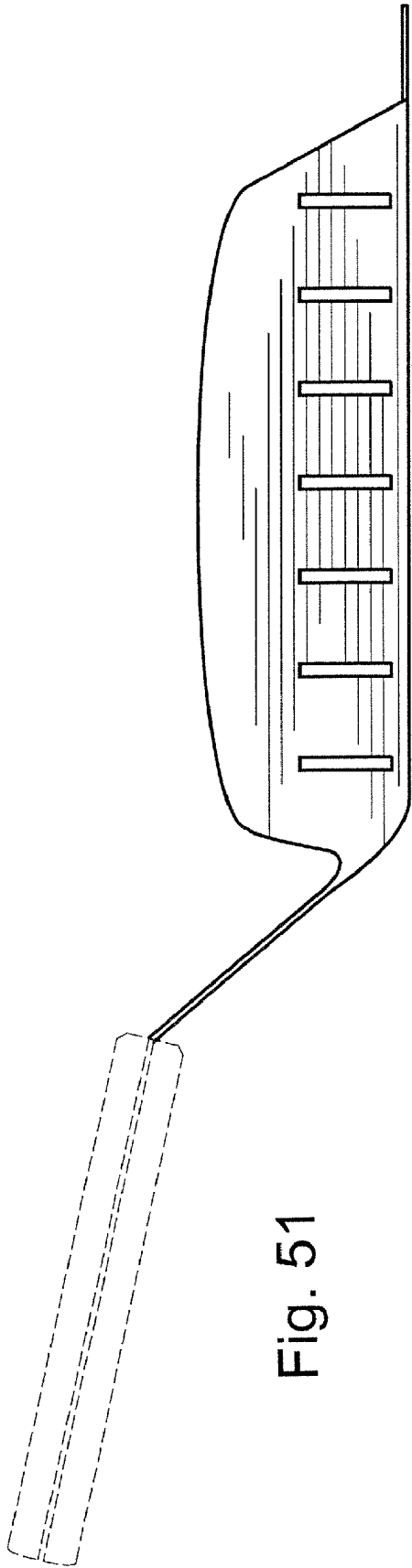


Fig. 51

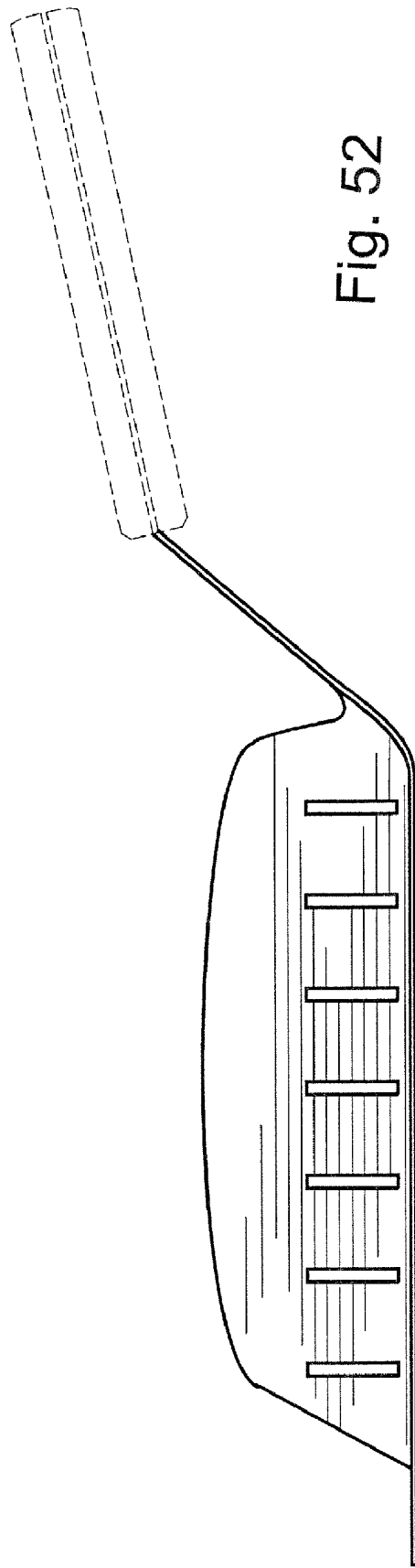


Fig. 52

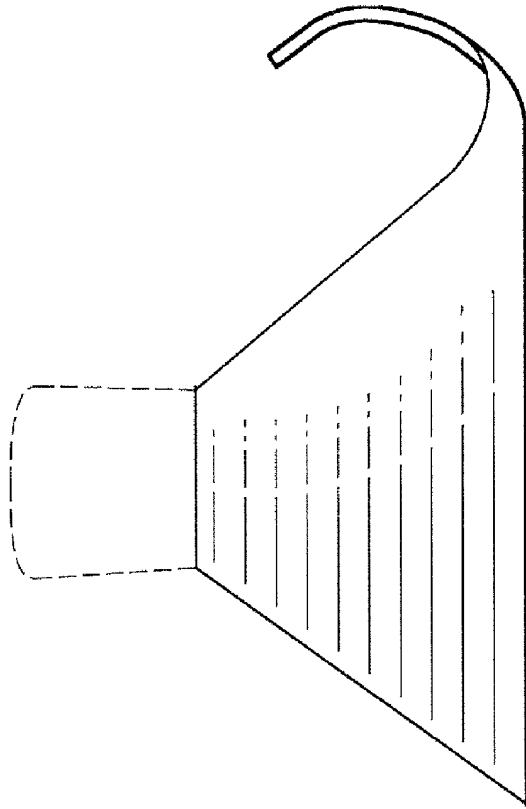


Fig. 54

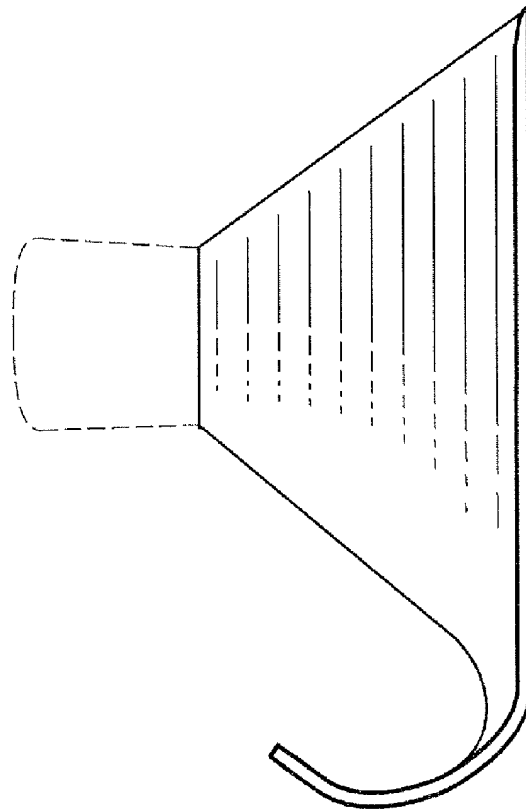


Fig. 53

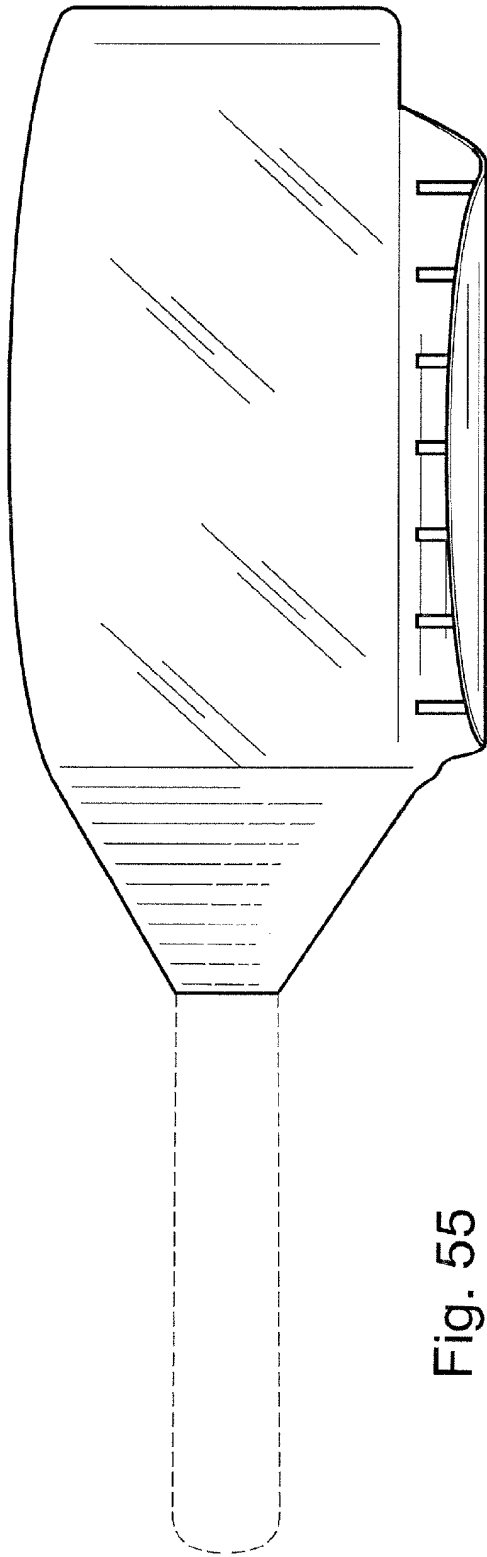


Fig. 55

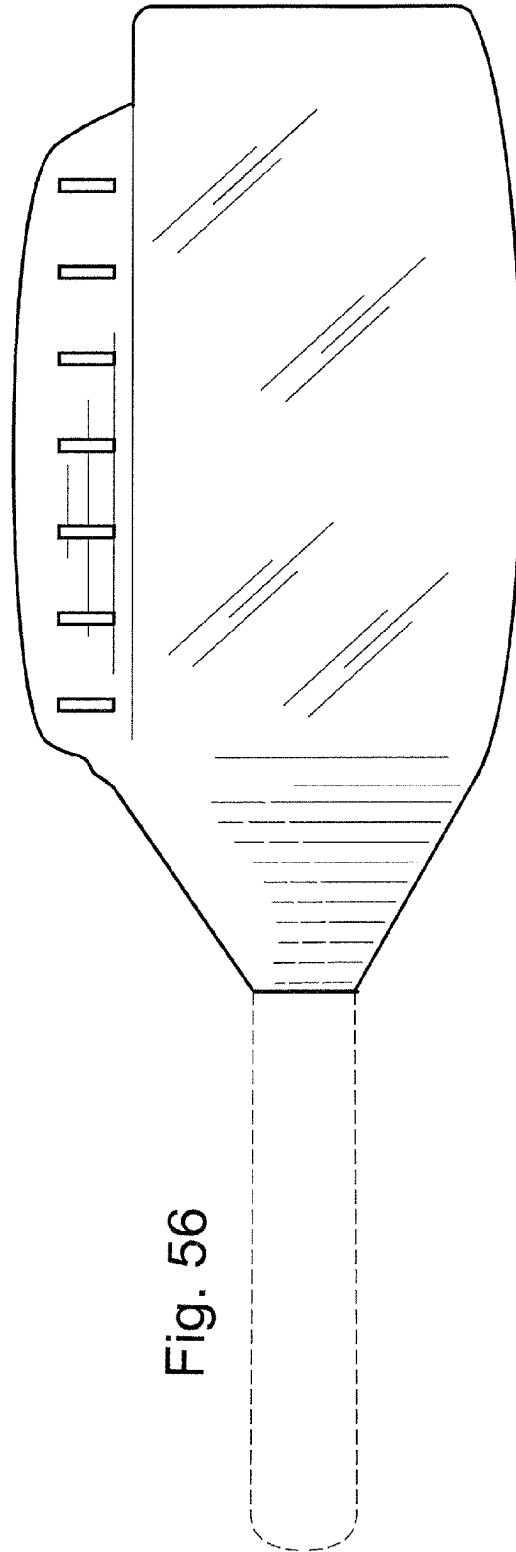


Fig. 56